



CATEGORY

PVC

AMMO ITEM #

ARCB-PVC
50-200

Company: _____

Job: _____ #Item: _____

Notes: _____

Conduit Body Schedule 40 PVC - Type C



AMMO#	SIZE	A (in)	B (in)	C (in)	D (in)	WEIGHT (g)	PKG	UPC
ARCB-50-PVC	1/2"	4	1.50	1.93	4.625	74.5	25	837654120996
ARCB-75-PVC	3/4"	4.625	1.6875	1.50	5.375	174.5	15	837654121009
ARCB-100-PVC	1"	5.375	2	1.75	6.5625	165	10	837654121016

C type conduit body with cover fittings

APPLICATIONS

- Provides access to conductors for pulling, splicing and maintenance
- C conduit body is a separate section of conduit tubing that provides easy access into the interior of an electrical raceway. It allows more space for electrical conductors to bend
- Electricians use conduit bodies to connect different sections of a conduit. C conduit body contains a removable cover for easy access to the wires

FEATURES

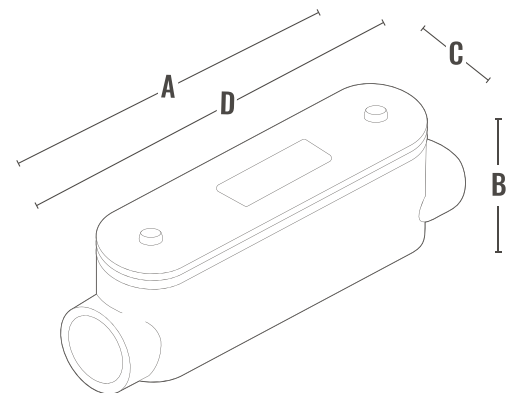
- Special Features Non-Conductive, Non-Corrosive, Non-Rusting
- Conduit bodies also add extra protection from weather and corrosion to your conductors.
- Conduit bodies come in a variety of sizes, materials and moisture resistance

MATERIAL

PVC

CERTIFICATIONS

- UL 514C:2014
- Ed.4+R:18Aug2020



PVC



Ammo Electric Inc.

400 MARTIN LUTHER KING JR WAY, BRIDGETON, NJ 08302
PHONE : (718).338.1851 FAX : (718).228.1851
orders@ammoelectric.com

www.ammoelectric.com