



CATEGORY

PVC

AMMO ITEM #

ARCB-PVC

Company: _____

Job: _____ #Item: _____

Notes: _____

Conduit Body PVC Type C



AMMO#	SIZE	A (in)	B (in)	C (in)	D (in)	WEIGHT (g)	PKG	UPC
ARCB-50-PVC	1/2"	4.00	1.50	1.93	4.62	74.5	25	837654120996
ARCB-75-PVC	3/4"	4.62	1.68	1.50	5.37	174.5	15	837654121009
ARCB-100-PVC	1"	5.37	2.00	1.75	6.56	165	10	837654121016
ARCB-125-PVC	1-1/4"	7.29	2.50	2.23	7.76	260	10	837654125915
ARCB-150-PVC	1-1/2"	7.84	2.78	2.58	8.39	314	10	837654125922
ARCB-200-PVC	2"	9.49	3.41	3.09	10.36	597.4	5	837654125939

C type conduit body with cover fittings

APPLICATIONS

- Provides access to conductors for pulling, splicing and maintenance
- C conduit body is a separate section of conduit tubing that provides easy access into the interior of an electrical raceway. It allows more space for electrical conductors to bend
- Electricians use conduit bodies to connect different sections of a conduit. C conduit body contains a removable cover for easy access to the wires

FEATURES

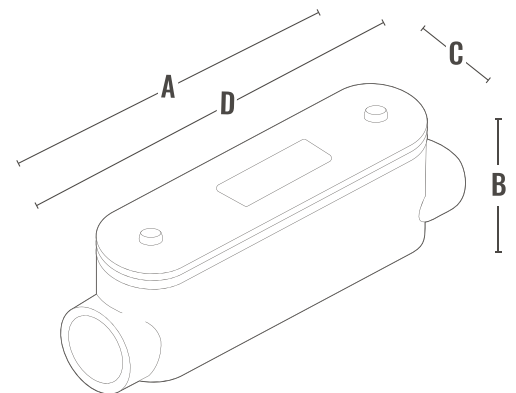
- Special Features Non-Conductive, Non-Corrosive, Non-Rusting
- Conduit bodies also add extra protection from weather and corrosion to your conductors
- Conduit bodies come in a variety of sizes, materials and moisture resistance

MATERIAL

PVC

CERTIFICATIONS

- UL 514C:2014
- Ed.4+R:18Aug2020



PVC



1000 COMMERCE CENTER DR ELKTON MD 21921
 PHONE : (718).338.1851 FAX : (718).228.1851
 orders@ammoelectric.com

www.ammoelectric.com