



CATEGORY
**ELECTRICAL
FITTINGS**

AMMO ITEM #

ARCBM
50-400

Company: _____
Job: _____ #Item: _____
Notes: _____

Clamp Back Spacers Hot Dip Galvanized



APPLICATIONS

- For use in wet or dry locations in conjunction with malleable Rigid conduit straps to create space between conduit and mounting surface
- Used to provide space between conduit and mounting surface

FEATURES

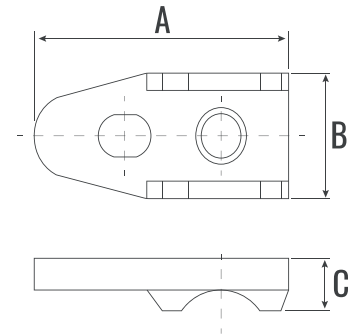
For use with malleable iron or aluminum one hole straps

MATERIAL

Malleable iron

FINISH

Zinc Plated



AMMO#	SIZE	A (in)	B (in)	C (in)	WEIGHT (g)	INNER	MASTER	UPC
ARCBM-50	1/2"	2	1	1/2	34	25	250	837654068786
ARCBM-75	3/4"	2-5/16	1-1/16	1/2	52	25	250	837654068793
ARCBM-100	1"	2-5/16	1-1/4	9/16	70	25	250	837654068809
ARCBM-125	1-1/4"	3-7/16	1-7/8	3/4	93	10	100	837654068816
ARCBM-150	1-1/2"	3-13/16	1-7/8	13/16	143	10	100	837654068823
ARCBM-200	2"	4-3/4	1-15/16	1	229	5	50	837654068830
ARCBM-250	2-1/2"	5-3/4	2-7/19	1	325	-	25	837654068847
ARCBM-300	3"	6-3/4	2-5/8	1	423	-	10	837654068854
ARCBM-350	3-1/2"	7-1/8	2-7/8	1-1/16	524	-	10	837654068861
ARCBM-400	4"	8-13/16	3-1/16	1-1/16	778	-	10	837654068878

ELECTRICAL FITTINGS



1000 COMMERCE CENTER DR ELKTON MD 21921
PHONE : (718).338.1851 FAX : (718).228.1851
orders@ammoelectric.com

www.ammoelectric.com