



CATEGORY
**CONDUIT
BODIES**

AMMO ITEM #

ARCC-CF

Company: _____
Job: _____ #Item: _____
Notes: _____

Rigid/IMC Combination Conduit Bodies with Covers - C Type



APPLICATIONS

- Act as pull outlets for conductors being installed
- Make bends and change direction for conduit system
- Provide opening for splicing
- Allow for branch connection runs
- Provide for access to conductors for future maintenance and system changes

FEATURES

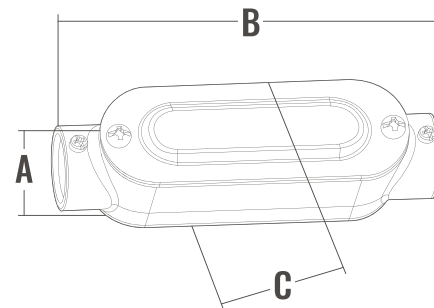
- Die cast copper-free aluminum construction is lightweight and corrosion resistant for long reliable service
- Epoxy powder coat finish provides additional corrosion resistance in a good appearance
- Flat back suitable for mounting on surface
- Provide flexible choices for orders, supply with separate bodies or as assembly
- Rated for Wet Locations when used with cover and gasket to join threaded Rigid conduit

MATERIALS

- Body: Die Cast Aluminum
- Covers: Stamped Steel

CERTIFICATIONS

- UL Standard: 514A
- CSA-C22.2 No. 45.2



AMMO#	SIZE	A (in)	B (in)	C (in)	WEIGHT (g)	PKG	UPC
ARCC-50CF	1/2"	1.59	4.72	1.33	115	100	837654071397
ARCC-75CF	3/4"	1.86	5.51	1.56	157	50	837654071403
ARCC-100CF	1"	2.12	6.45	1.82	211	25	837654071410
ARCC-125CF	1-1/4"	2.736	8.34	2.50	495	25	837654071427
ARCC-150CF	1-1/2"	2.736	8.34	2.50	464	10	837654071434
ARCC-200CF	2"	3.64	10.55	3.40	878	5	837654071441

CONDUIT BODIES



400 MARTIN LUTHER KING JR WAY, BRIDGETON, NJ 08302
PHONE : (718).338.1851 FAX : (718).228.1851
orders@ammoelectric.com

www.ammoelectric.com