



CATEGORY
**ELECTRICAL
FITTINGS**

AMMO ITEM #

**ARCCNRS
50-400**

Company: _____

Job: _____ #Item: _____

Notes: _____

EMT Compression Connector

Raintight Steel



Assembled with sealing ring and knockout gasket, Compression style connector can provide a rain tight seal when connecting EMT to box or enclosure

FEATURES

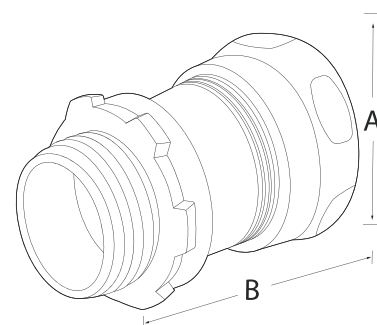
- Hex gland nut creates flat, smooth surface for convenient wrenching
- Installation is safe and sealed by using sealing ring
- Interior shoulder conduit stop provides positive seating of conduit inside the body
- Gasket on male threads of box connector makes raintight connection between box and connector
- Optional insulator made of high performance thermoplastic is available
- Angled teeth on the locknut securely bite into enclosure

MATERIALS / FINISHES

- Body / Compression nut / locknut: Steel / Zinc Plated
- Gasket / Sealing rings: Thermoplastic

COMPLIANCES AND CERTIFICATIONS

- UL File No.E466434
- UL-514B



AMMO#	SIZE	A (In)	B (In)	WEIGHT (G)	INNER	MASTER	UPC
ARCCNRS-50	1/2"	1.09	1.51	46.2	25	250	837654088258
ARCCNRS-75	3/4"	1.3	1.64	63.4	25	250	837654088265
ARCCNRS-100	1"	1.63	1.98	103.57	10	100	837654088272
ARCCNRS-125	1-1/4"	2.13	2.38	173.73	5	25	837654088289
ARCCNRS-150	1-1/2"	2.37	2.41	212.2	2	20	837654088296
ARCCNRS-200	2"	2.86	2.62	279.52	-	15	837654088302
ARCCNRS-250	2-1/2"	3.59	4.06	759.01	-	12	837654088319
ARCCNRS-300	3"	4.23	4.23	952.6	-	6	837654088326
ARCCNRS-350	3-1/2"	4.77	4.61	1203.33	-	5	837654088333
ARCCNRS-400	4"	5.26	4.67	1334.09	-	3	837654088340

ELECTRICAL FITTINGS



400 MARTIN LUTHER KING JR WAY, BRIDGETON, NJ 08302
PHONE : (718).338.1851 FAX : (718).228.1851
orders@ammoelectric.com

www.ammoelectric.com