



CATEGORY  
**ELECTRICAL  
FITTINGS**

AMMO ITEM #

**ARCCNRS**  
50I-400I

Company: \_\_\_\_\_  
Job: \_\_\_\_\_ #Item: \_\_\_\_\_  
Notes: \_\_\_\_\_

# EMT Compression Connector

## Raintight Insulated Steel



Assembled with sealing ring and knockout gasket, Compression style connector can provide a rain tight seal when connecting EMT to box or enclosure

### FEATURES

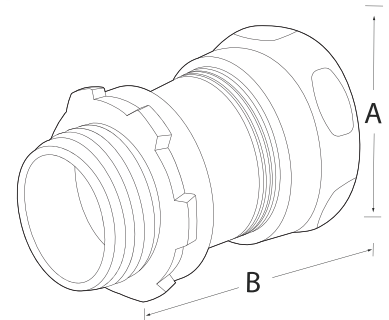
- Hex gland nut creates flat, smooth surface for convenient wrenching
- Installation is safe and sealed by using sealing ring
- Interior shoulder conduit stop provides positive seating of conduit inside the body
- Gasket on male threads of box connector makes raintight connection between box and connector
- Optional insulator made of high performance thermoplastic is available
- Angled teeth on the locknut securely bite into enclosure

### MATERIALS / FINISHES

- Body / Compression nut / locknut: Steel / Zinc Plated
- Gasket / Sealing rings: Thermoplastic

### COMPLIANCES AND CERTIFICATIONS

- UL File No.E466434
- UL-514B



AMMO#	SIZE	A (in)	B (in)	WEIGHT (g)	INNER	MASTER	UPC
ARCCNRS-50I	1/2"	1.09	1.51	46.63	25	250	837654069561
ARCCNRS-75I	3/4"	1.3	1.64	63.88	25	250	837654069578
ARCCNRS-100I	1"	1.63	1.98	104.65	10	100	837654069585
ARCCNRS-125I	1-1/4"	2.13	2.38	175.49	5	25	837654069592
ARCCNRS-150I	1-1/2"	2.37	2.41	214.16	2	20	837654069608
ARCCNRS-200I	2"	2.86	2.62	282.25	2	15	837654069615
ARCCNRS-250I	2-1/2"	3.59	4.06	762.67	-	12	837654069622
ARCCNRS-300I	3"	4.23	4.23	959.05	-	6	837654069639
ARCCNRS-350I	3-1/2"	4.77	4.61	1212.71	-	5	837654069646
ARCCNRS-400I	4"	5.26	4.67	1345.75	-	3	837654069653

## ELECTRICAL FITTINGS



400 MARTIN LUTHER KING JR WAY, BRIDGETON, NJ 08302  
PHONE : (718).338.1851 FAX : (718).228.1851  
orders@ammoelectric.com

www.ammoelectric.com