



CATEGORY
**ELECTRICAL
FITTINGS**

AMMO ITEM #

ARCCNS-100

Company: _____

Job: _____ #Item: _____

Notes: _____

EMT Compression Connector



FEATURES

- Compression type connector
- Concrete tight
- Assembled with a steel locknut
- Available with insulated throat

MATERIAL

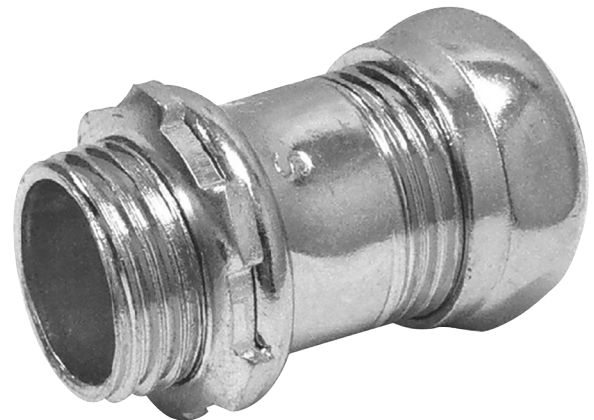
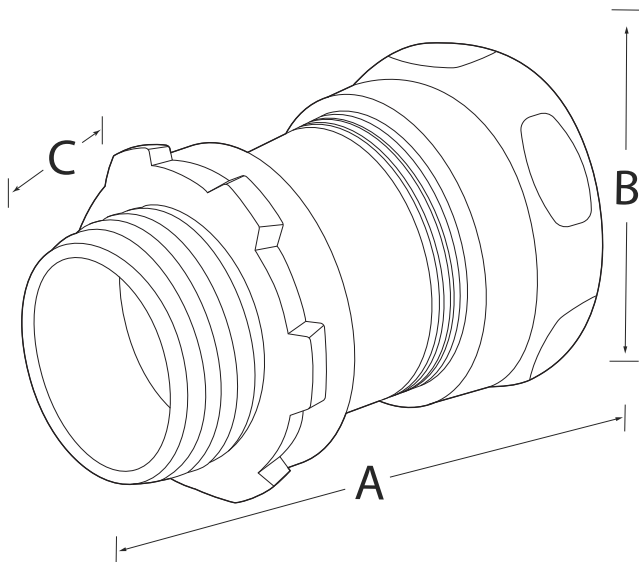
Steel with Zinc Plated

MEASUREMENTS

- Depth: _____ 1 in
- A: _____ 1.73 in
- B: _____ 1.69 in
- C: _____ 0.57 in

PACKAGING

- Weight: _____ 109 g
- Inner: _____ 10
- Master: _____ 100
- UPC Number: _____ 837654088173



ELECTRICAL FITTINGS



400 MARTIN LUTHER KING JR WAY, BRIDGETON, NJ 08302
PHONE : (718).338.1851 FAX : (718).228.1851
orders@ammoelectric.com

www.ammoelectric.com