



CATEGORY  
**ELECTRICAL  
 FITTINGS**

AMMO ITEM #

**ARCCNS-75**

Company: \_\_\_\_\_  
 Job: \_\_\_\_\_ #Item: \_\_\_\_\_  
 Notes: \_\_\_\_\_

# EMT Compression Connector

**FEATURES**

- Compression type connector
- Concrete tight
- Assembled with a steel locknut
- Available with insulated throat

**MATERIAL**

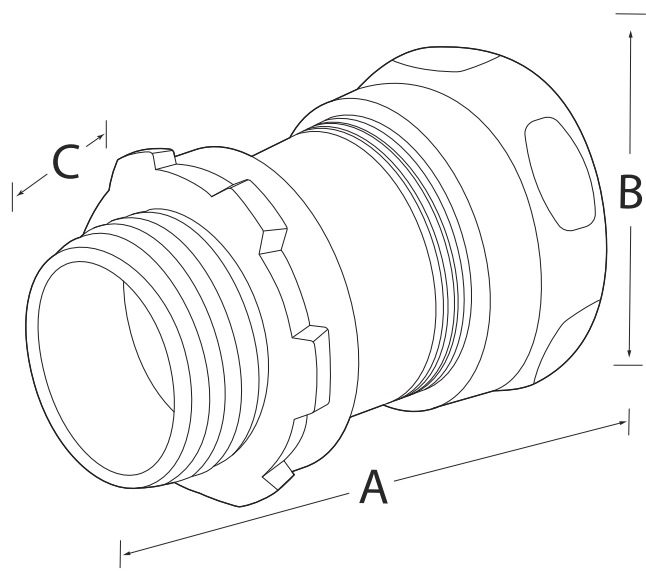
Steel with Zinc Plated

**MEASUREMENTS**

- Depth: \_\_\_\_\_ 3/4 in
- A: \_\_\_\_\_ 1.46 in
- B: \_\_\_\_\_ 1.38 in
- C: \_\_\_\_\_ 0.49 in

**PACKAGING**

- Weight: \_\_\_\_\_ 71 g
- Inner: \_\_\_\_\_ 25
- Master: \_\_\_\_\_ 250
- UPC Number: \_\_\_\_\_ 837654088166



**ELECTRICAL FITTINGS**



400 MARTIN LUTHER KING JR WAY, BRIDGETON, NJ 08302  
 PHONE : (718).338.1851 FAX : (718).228.1851  
 orders@ammoelectric.com

www.ammoelectric.com