



CATEGORY  
**ELECTRICAL  
 FITTINGS**  
 AMMO ITEM #  
**ARCCSR**

Company: \_\_\_\_\_

Job: \_\_\_\_\_ #Item: \_\_\_\_\_

Notes: \_\_\_\_\_

# Combination Couplings EMT to Rigid



EMT to Rigid/ IMC combination couplings

**APPLICATION**

Used to join EMT to unthreaded rigid conduit or IMC

**FEATURES**

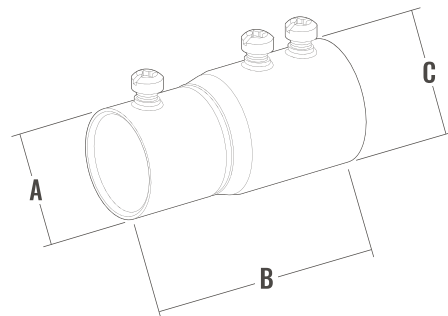
- Set screw type
- Concrete-tight

**MATERIALS**

- Body: zinc plated steel
- Screw: zinc plated steel

**CERTIFICATIONS**

- UL-514B
- CSA Standard C22.2 No.18.3-12



AMMO#	SIZE	A (in)	B (in)	C (in)	WEIGHT (g)	INNER	MASTER	UPC
ARCCSR-50	1/2"	0.85	2.32	0.99	59.17	25	250	837654117569
ARCCSR-75	3/4"	1.06	2.72	1.2	83.9	10	100	837654117576
ARCCSR-100	1"	1.32	3.15	1.48	128.04	10	100	837654117583

**ELECTRICAL FITTINGS**



400 MARTIN LUTHER KING JR WAY, BRIDGETON, NJ 08302  
 PHONE : (718).338.1851 FAX : (718).228.1851  
 orders@ammoelectric.com

www.ammoelectric.com