



CATEGORY  
**ELECTRICAL  
 FITTINGS**

AMMO ITEM #

ARCPSNM-5038

Company: \_\_\_\_\_  
 Job: \_\_\_\_\_ #Item: \_\_\_\_\_  
 Notes: \_\_\_\_\_

# Combination Couplings



### APPLICATION

- Indoor use only
- Use to join EMT to nonmetallic sheathed cable, #14/2, #12/3 or 2 #14/2

### FEATURES

- Set screw to clamp type
- Combination coupling used to join NM cable to EMT

### MATERIALS

- Zinc die cast
- Zinc plated steel strap

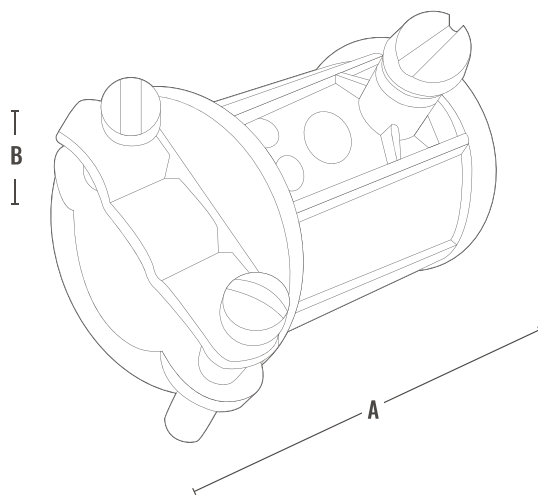
### FINISH

- Zinc plated

### CERTIFICATIONS

- UL File: NO. E536823
- UL Standard: UL 514B

| AMMO#        | SIZE      | A (in) | B (in)      | WEIGHT (g) | INNER | MASTER | UPC          |
|--------------|-----------|--------|-------------|------------|-------|--------|--------------|
| ARCPSNM-5038 | 3/8"-1/2" | 1.35   | 0.17"~0.63" | 22.5       | 50    | 500    | 837654109861 |



## ELECTRICAL FITTINGS



400 MARTIN LUTHER KING JR WAY, BRIDGETON, NJ 08302  
 PHONE : (718).338.1851 FAX : (718).228.1851  
 orders@ammoelectric.com

www.ammoelectric.com