



CATEGORY

**NEC (Nipples,
Elbows & Couplings)**

AMMO ITEM #

**EMT 30°
Elbow**

Company: _____
Job: _____ #Item: _____
Notes: _____

EMT 30° Elbow Galvanized



AMMO#	SIZE	A (in)	B (in)	C (in)	OD (in)	THICKNESS T (in) +/-	STRAIGHT LENGTH L	RADIUS R (in)	WEIGHT (g)	PKG	UPC
AREMT-12530	1-1/4"	8.325	2.23	8.619	1.510±0.005	0.063	2.721	7.25	394	30	837654086483
AREMT-15030	1-1/2"	9.604	2.573	9.942	1.740±0.005	0.063	3.169	8.25	499	15	837654086490
AREMT-20030	2"	10.59	2.837	10.964	2.197±0.005	0.063	3.424	9.5	758	10	837654086506
AREMT-25030	2-1/2"	14.007	3.753	14.501	2.875±0.010	0.072	5.078	10.5	1285	50	837654086513
AREMT-30030	3"	16.351	4.381	16.928	3.500±0.015	0.072	5.748	13	1774	35	837654086520
AREMT-35030	3-1/2"	17.666	4.734	18.289	4.000±0.020	0.083	5.984	15	2696	35	837654086537
AREMT-40030	4"	20.096	5.385	20.805	4.500±0.020	0.083	7.085	16	3349	35	837654086544

EASY AND ACCURATE BENDING

Processed by high frequency induction welding to prevent cracking when bend

EASY WIRE PUSHING AND PULLING

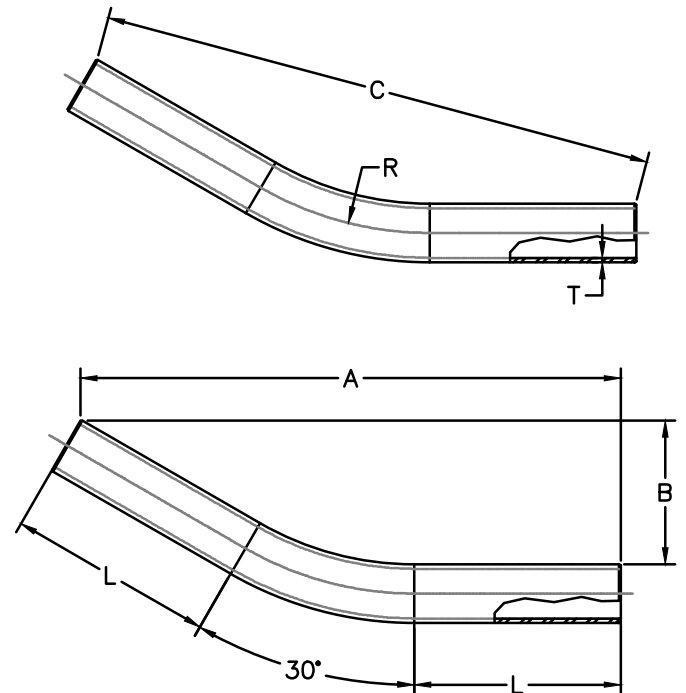
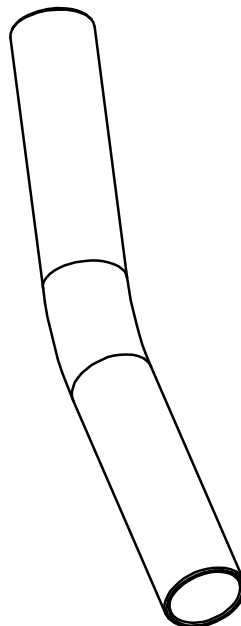
Grey color epoxy resin coating with inside welding removed

HIGH CORROSION RESISTANCE

Pure zinc coating on the exterior wall with clear anti-corrosion coating finish

MATERIALS

- Hot dipped Galvanized
- Galv In-line



NEC (Nipples, Elbows & Couplings)



400 MARTIN LUTHER KING JR WAY, BRIDGETON, NJ 08302
PHONE : (718).338.1851 FAX : (718).228.1851
orders@ammoelectric.com

www.ammoelectric.com