



CATEGORY

PVC

AMMO ITEM #

AREND40PVC

Company: _____

Job: _____ #Item: _____

Notes: _____

End Cap Schedule 40 PVC



APPLICATIONS

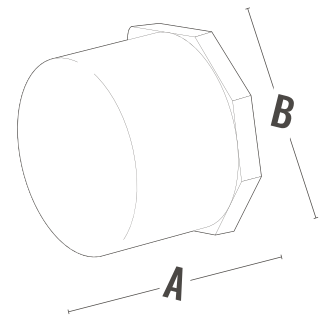
- Cap off pipe openings; allows access for future expansions or service
- Capping provides a finished look and inhibits damage from moisture and other elements

FEATURES

- High tensile and impact strength
- Easy to install slip fit

MATERIAL

PVC



AMMO#	SIZE	A (in)	B (in)	WEIGHT (g)	PKG	UPC
AREND40PVC-50	1/2"	1	1.0625	15.5	100	837654110713
AREND40PVC-75	3/4"	1.25	1.3125	17.8	100	837654110720
AREND40PVC-100	1"	1.4375	1.625	30	50	837654110737
AREND40PVC-125	1-1/4"	1.50	2	44	25	837654110744
AREND40PVC-150	1-1/2"	1.625	2.25	55	25	837654110751
AREND40PVC-200	2"	1.75	2.75	83.2	50	837654110768
AREND40PVC-250	2-1/2"	2.125	3.50	177	25	837654110775
AREND40PVC-300	3"	2.25	4	215	25	837654110782

PVC



400 MARTIN LUTHER KING JR WAY, BRIDGETON, NJ 08302
 PHONE : (718).338.1851 FAX : (718).228.1851
 orders@ammoelectric.com

www.ammoelectric.com