



CATEGORY
ELECTRICAL
FITTINGS

AMMO ITEM #

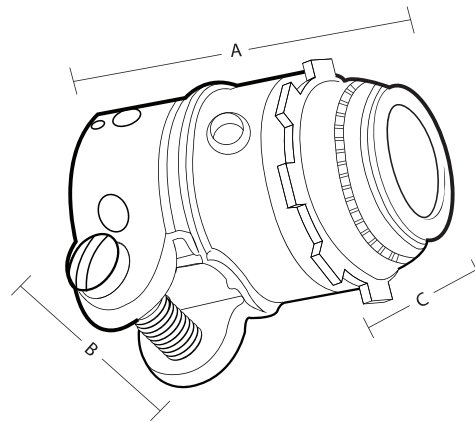
ARFCNS
50I-200I

Company: _____
Job: _____ #Item: _____
Notes: _____



Insulated Throat Straight Squeeze Type BX-Flex Connector

AMMO#	SIZE	A (mm)	B (mm)	C (mm)	WEIGHT (g)	INNER	MASTER	UPC
ARFCNS-50I	1/2"	37.8	13.9	27.5	33	25	250	837654068571
ARFCNS-75I	3/4"	42.4	14.5	32.0	45	25	250	837654068581
ARFCNS-100I	1"	45.1	14.4	38.8	70	10	100	837654068595
ARFCNS-125I	1-1/4"	46.0	14.8	47.0	75	10	100	837654068601
ARFCNS-150I	1-1/2"	52.6	17.7	54.7	133	5	50	837654068618
ARFCNS-200I	2"	55.5	17.7	67.7	196	10	40	837654068625



ELECTRICAL FITTINGS



400 MARTIN LUTHER KING JR WAY, BRIDGETON, NJ 08302
PHONE : (718).338.1851 FAX : (718).228.1851
orders@ammoelectric.com

www.ammoelectric.com