



CATEGORY
**ELECTRICAL
FITTINGS**

AMMO ITEM #

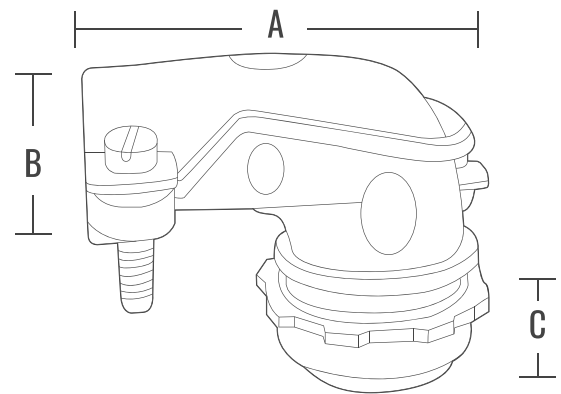
ARFCSQ90
38IT-200IT

Company: _____
Job: _____ #Item: _____
Notes: _____

BX-Flex Connector 90° Insulated Throat Squeeze Type



AMMO#	SIZE	A (mm)	B (mm)	C (mm)	WEIGHT (g)	INNER	MASTER	UPC
ARFCSQ90-38IT	3/8	43.8	14.1	11.3	33.0	50	500	837654111208
ARFCSQ90-50IT	1/2"	53.9	21.7	13.6	54.2	25	250	837654111215
ARFCSQ90-75IT	3/4"	59.7	28.2	13.7	75.0	10	100	837654111222
ARFCSQ90-100IT	1"	72.8	27.6	13.7	126.0	5	50	837654111239
ARFCSQ90-125IT	1-1/4"	101.5	34.0	16.2	189.3	10	40	837654111246
ARFCSQ90-150IT	1-1/2"	152.3	41.8	19.0	445.0	10	5	837654111253
ARFCSQ90-200IT	2"	152.3	39.0	18.7	446.1	-	5	837654111260



*Material Zinc die cast

ELECTRICAL FITTINGS



400 MARTIN LUTHER KING JR WAY, BRIDGETON, NJ 08302
PHONE : (718).338.1851 FAX : (718).228.1851
orders@ammoelectric.com

www.ammoelectric.com