



CATEGORY
**ELECTRICAL
 FITTINGS**

AMMO ITEM #

ARFDS-38

Company: _____
 Job: _____ #Item: _____
 Notes: _____

Bx-Flex Duplex Connectors



AMMO#	SIZE	A (in)	B (in)	C (in)	WEIGHT (g)	INNER	MASTER	UPC
ARFDS-38	3/8"	1.57	0.13	0.65	37	25	250	837654065372

APPLICATION

To make a termination of flexible metal conduit to a knockout or unthreaded slip hole in a dry location box or enclosure

FEATURES

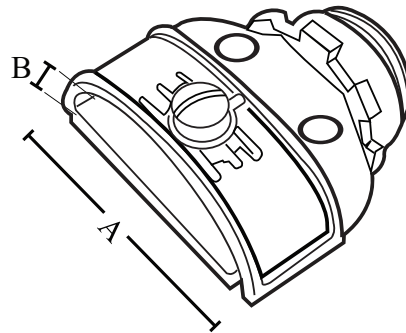
- Furnished with locknuts
- Male hub NPS
- Combination head screw

MATERIAL

Zinc Die Cast

CERTIFICATION

- UL Standard: 514B
- CSA Standard: C22.2 No. 18



ELECTRICAL FITTINGS



400 MARTIN LUTHER KING JR WAY, BRIDGETON, NJ 08302
 PHONE : (718).338.1851 FAX : (718).228.1851
 orders@ammoelectric.com

www.ammoelectric.com