



CATEGORY  
**ELECTRICAL  
 FITTINGS**

AMMO ITEM #

**ARFDS90-38**

Company: \_\_\_\_\_  
 Job: \_\_\_\_\_ #Item: \_\_\_\_\_  
 Notes: \_\_\_\_\_



# Duplex Connectors 90° For BX, Flex, NM & MC Cable

### APPLICATION

- Indoor dry location use only
- For armored cable, flexible metal conduit, interlocked metal clad, NM and SE cables to a box or enclosure

### FEATURES

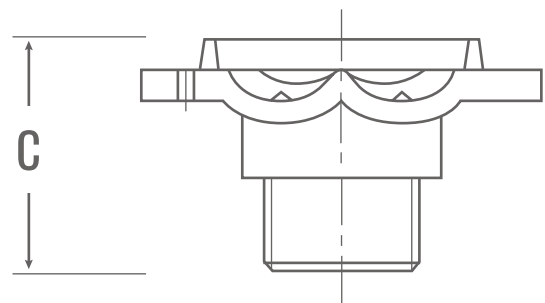
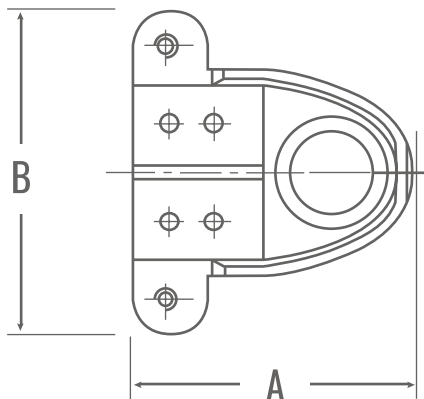
- With insulated throat
- One piece malleable construction affording extra strength
- Dual gripping saddle clamps

### MATERIAL

Malleable Iron



AMMO#	SIZE	A (In)	B (In)	C (In)	WEIGHT (G)	INNER	MASTER	UPC
ARFDS90-38	3/8"	1-3/16	7/16	7/8	48	25	250	837654109847



## ELECTRICAL FITTINGS



400 MARTIN LUTHER KING JR WAY, BRIDGETON, NJ 08302  
 PHONE : (718).338.1851 FAX : (718).228.1851  
 orders@ammoelectric.com

www.ammoelectric.com