



CATEGORY  
**ELECTRICAL  
 FITTINGS**  
 AMMO ITEM #  
**ARFSC-38**

Company: \_\_\_\_\_  
 Job: \_\_\_\_\_ #Item: \_\_\_\_\_  
 Notes: \_\_\_\_\_

# Flex Metal Saddle Conduit Connector



### APPLICATION

Used to connect AC / MC / FMC / MCI-A and NM cable to box or enclosure

### FEATURES

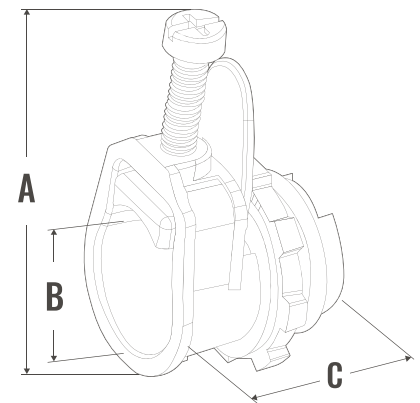
Tighten screw with strap depression between cable convolutions

### MATERIAL

Zinc die cast

### CERTIFICATION

UL Standard: 514B



AMMO#	SIZE	A (in)	B (in)	C (in)	WEIGHT (g)	INNER	MASTER	UPC
ARFSC-38	3/8"	1.92	50	.93	23	50	500	837654065396

## ELECTRICAL FITTINGS



400 MARTIN LUTHER KING JR WAY, BRIDGETON, NJ 08302  
 PHONE : (718).338.1851 FAX : (718).228.1851  
 orders@ammoelectric.com

www.ammoelectric.com