



CATEGORY  
**ELECTRICAL  
FITTINGS**

AMMO ITEM #

**ARFSS-38**

Company: \_\_\_\_\_  
Job: \_\_\_\_\_ #Item: \_\_\_\_\_  
Notes: \_\_\_\_\_

# Flex Metal Single Screw Connectors



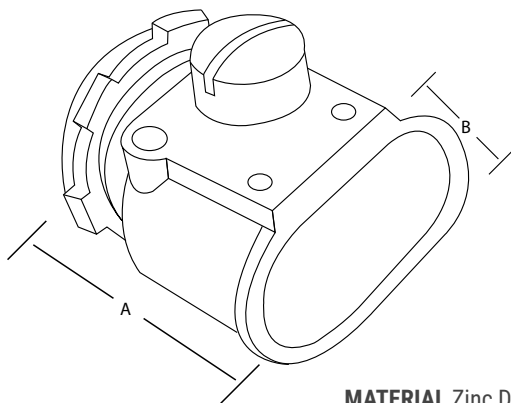
### APPLICATIONS

- Indoor dry location use only
- Strap-type fitting used to connect flexible metal conduit or armored cable to box or enclosure

### FEATURES

- Duplex 2 screw clamp type
- Tri-combo screw head
- Male hub NPT

AMMO#	SIZE	A (in)	B (in)	WEIGHT (g)	INNER	MASTER	UPC
ARFSS-38	3/8"	1.42	0.63	36	25	250	837654065389



**MATERIAL** Zinc Die Cast



## ELECTRICAL FITTINGS



400 MARTIN LUTHER KING JR WAY, BRIDGETON, NJ 08302  
PHONE : (718).338.1851 FAX : (718).228.1851  
orders@ammoelectric.com

[www.ammoelectric.com](http://www.ammoelectric.com)