



CATEGORY
**CONDUIT
BODIES**

AMMO ITEM #

ARLB 50CF-400CF

Company: _____
Job: _____ #Item: _____
Notes: _____

Threaded Conduit Bodies With Cover and Gasket LB Type



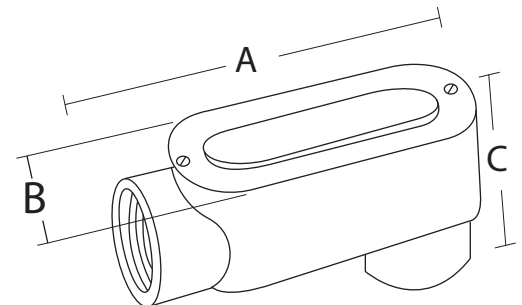
| AMMO# | SIZE | A (in) | B (in) | C (in) | WEIGHT (g) | PKG | UPC |
|------------|--------|-----------|-----------|-----------|---------------|-----|--------------|
| ARLB-50CF | 1/2" | 4-5/16 | 1-5/16 | 2-3/32 | 116 | 50 | 837654072707 |
| ARLB-75CF | 3/4" | 5-3/32 | 1-9/16 | 2-3/8 | 164 | 50 | 837654072714 |
| ARLB-100CF | 1" | 5-29/32 | 1-13/16 | 2-3/4 | 231 | 25 | 837654072721 |
| ARLB-125CF | 1-1/4" | 7-13/16 | 2-1/2 | 3-1/2 | 544 | 10 | 837654072738 |
| ARLB-150CF | 1-1/2" | 7-13/16 | 2-1/2 | 3-1/2 | 520 | 10 | 837654072745 |
| ARLB-200CF | 2" | 10-1/16 | 3-3/16 | 4-1/2 | 785 | 10 | 837654072752 |
| ARLB-250CF | 2-1/2" | 12-13/16 | 4-1/2 | 5-5/16 | 1885 | 1 | 837654072769 |
| ARLB-300CF | 3" | 12-13/16 | 4-1/2 | 5-29/32 | 2006 | 1 | 837654072776 |
| ARLB-350CF | 3-1/2" | 15-5/8 | 5-9/16 | 7-5/16 | 3841 | 1 | 837654074794 |
| ARLB-400CF | 4" | 15-5/8 | 5-9/16 | 7-5/16 | 3423 | 1 | 837654072691 |

APPLICATIONS

- To join Rigid Conduit or IMC and provide access to the interior of the raceway system for wire pulling, maintenance, additions or splicing as permitted by the National Electrical Code
- The configuration of threaded entrances and covers permits installation and access from the appropriate direction
- Powder coated finish and gasket create a weatherproof installation

MATERIALS

- Cover: free aluminum die cast
- Gasket: Neoprene rubber



CONDUIT BODIES



400 MARTIN LUTHER KING JR WAY, BRIDGETON, NJ 08302
PHONE : (718).338.1851 FAX : (718).228.1851
orders@ammoelectric.com

www.ammoelectric.com