



CATEGORY  
**CONDUIT  
 BODIES**

AMMO ITEM #

**ARLBE-CF**

Company: \_\_\_\_\_  
 Job: \_\_\_\_\_ #Item: \_\_\_\_\_  
 Notes: \_\_\_\_\_

# EMT Conduit Bodies

## Set Screw with Cover - LB Type



### APPLICATIONS

- Act as pull outlets for conductors being installed
- Make bends and change direction for conduit system
- Provide opening for splicing
- Allow for branch connection runs
- Provide for access to conductors for future maintenance and system changes

### FEATURES

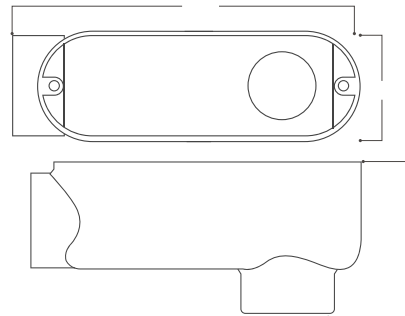
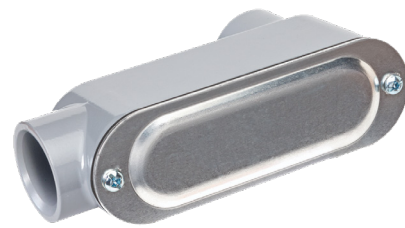
- Die cast copper-free aluminum construction is lightweight and corrosion resistant for long reliable service
- Epoxy powder coat finish provides additional corrosion resistance in a good appearance
- Flat back suitable for mounting on surface
- Provide flexible choices for orders, supply with separate bodies or as assembly
- Rated for Wet Locations when used with cover and gasket to join threaded Rigid conduit

### MATERIALS

- Body: die cast aluminum
- Covers: stamped steel

### CERTIFICATIONS

- UL Standard: 514A
- CSA-C22.2 No. 45.2



AMMO#	SIZE	A (in)	B (in)	C (in)	WEIGHT (g)	PKG	UPC
ARLBE-50CF	1/2"	4-5/16	1-5/16	2-3/32	108	50	837654075104
ARLBE-75CF	3/4"	5-3/32	1-9/16	2-3/8	140	50	837654075111
ARLBE-100CF	1"	5-29/32	1-13/16	2-3/4	200	25	837654075128
ARLBE-125CF	1-1/4"	7-13/16	2-1/2	3-1/2	425	10	837654075125
ARLBE-150CF	1-1/2"	7-13/16	2-1/2	3-1/2	680	10	837654075142
ARLBE-200CF	2"	10-1/16	3-3/16	4-1/2	623	10	837654075159
ARLBE-250CF	2-1/2"	12-13/16	4-1/2	5-5/16	1430	1	837654075166
ARLBE-300CF	3"	12-13/16	4-1/2	5-29/32	1560	1	837654075173
ARLBE-350CF	3-1/2"	15-5/8	5-9/16	7-5/16	3400	1	837654075180
ARLBE-400CF	4"	15-5/8	5-9/16	7-5/16	3010	1	837654075197

## CONDUIT BODIES



400 MARTIN LUTHER KING JR WAY, BRIDGETON, NJ 08302  
 PHONE : (718).338.1851 FAX : (718).228.1851  
 orders@ammoelectric.com

www.ammoelectric.com