



CATEGORY

PVC

AMMO ITEM #

ARLBPVC
50-300

Company: _____

Job: _____ #Item: _____

Notes: _____

Conduit Body Schedule 40 PVC - Type LB



| AMMO# | SIZE | A (in) | B (in) | C (in) | D (in) | WEIGHT (g) | PKG | UPC |
|-------------|--------|-----------|-----------|-----------|-----------|---------------|-----|--------------|
| ARLBPVC-50 | 1/2" | 4 | 1.4375 | 1.3125 | 4.1875 | 76.5 | 25 | 837654110416 |
| ARLBPVC-75 | 3/4" | 4.625 | 1.625 | 1.50 | 4.9375 | 169.5 | 15 | 837654110423 |
| ARLBPVC-100 | 1" | 5.375 | 2 | 1.75 | 5.875 | 166.5 | 10 | 837654110430 |
| ARLBPVC-125 | 1-1/4" | 7.188 | 2.375 | 2.50 | 7.5625 | 390 | 10 | 837654110447 |
| ARLBPVC-150 | 1-1/2" | 8 | 2.75 | 2.625 | 8.5625 | 379.5 | 10 | 837654110454 |
| ARLBPVC-200 | 2" | 9.563 | 3.375 | 3.125 | 9.8125 | 655 | 5 | 837654110461 |
| ARLBPVC-250 | 2-1/2" | 12.875 | 4.5625 | 4.625 | 1' 3 | 1450 | 5 | 837654110393 |
| ARLBPVC-300 | 3" | 12.875 | 4.5625 | 4.625 | 1' 3.0625 | 1430 | 5 | 837654110409 |

APPLICATION

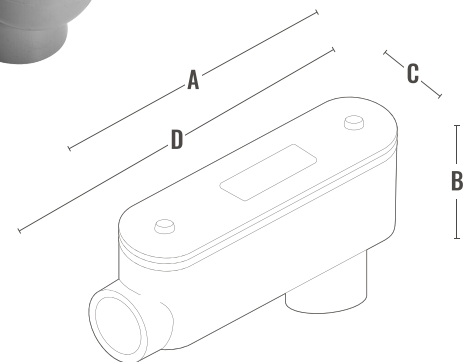
Use for a change of direction of the conduit run with the back hub usually exiting through a wall

FEATURES

- Rectangular shaped conduit body with a removable cover
- Conduit body contains two conduit hubs
- Facing the cover side with the end wall hub pointing up, the second hub is in the right side wall at the opposite end of the fitting

MATERIALS

- PVC
- Screws - Zinc plated steel



PVC



400 MARTIN LUTHER KING JR WAY, BRIDGETON, NJ 08302
 PHONE : (718).338.1851 FAX : (718).228.1851
 orders@ammoelectric.com

www.ammoelectric.com