



CATEGORY

PVC

AMMO ITEM #

ARLBPVC

Company: \_\_\_\_\_

Job: \_\_\_\_\_ #Item: \_\_\_\_\_

Notes: \_\_\_\_\_

## Conduit Body PVC Type LB



AMMO#	SIZE	A (in)	B (in)	C (in)	D (in)	WEIGHT (g)	PKG	UPC
ARLBPVC-50	1/2"	4	1.4375	1.3125	4.1875	76.5	25	837654110416
ARLBPVC-75	3/4"	4.625	1.625	1.50	4.9375	169.5	15	837654110423
ARLBPVC-100	1"	5.375	2	1.75	5.875	166.5	10	837654110430
ARLBPVC-125	1-1/4"	7.188	2.375	2.50	7.5625	390	10	837654110447
ARLBPVC-150	1-1/2"	8	2.75	2.625	8.5625	379.5	10	837654110454
ARLBPVC-200	2"	9.563	3.375	3.125	9.8125	655	5	837654110461
ARLBPVC-250	2-1/2"	12.875	4.5625	4.625	1' 3	1450	5	837654110393
ARLBPVC-300	3"	12.875	4.5625	4.625	1' 3.0625	1430	5	837654110409

### APPLICATION

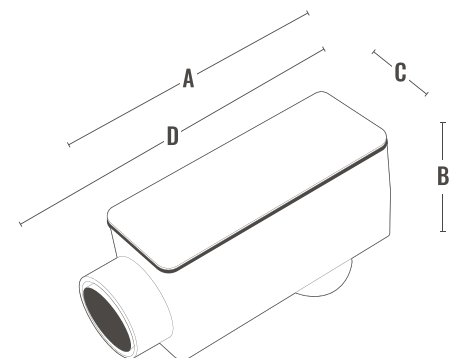
Use for a change of direction of the conduit run with the back hub usually exiting through a wall

### FEATURES

- Rectangular shaped conduit body with a removable cover
- Conduit body contains two conduit hubs
- Facing the cover side with the end wall hub pointing up, the second hub is in the right side wall at the opposite end of the fitting

### MATERIALS

- PVC
- Screws - Zinc plated steel



PVC



1000 COMMERCE CENTER DR ELKTON MD 21921  
 PHONE : (718).338.1851 FAX : (718).228.1851  
 orders@ammoelectric.com

www.ammoelectric.com