



CATEGORY

**CONDUIT  
BODIES**

AMMO ITEM #

**ARLLC-CF**

Company: \_\_\_\_\_

Job: \_\_\_\_\_ #Item: \_\_\_\_\_

Notes: \_\_\_\_\_

## Rigid/IMC Combination Conduit Bodies with Covers - LL Type



### APPLICATIONS

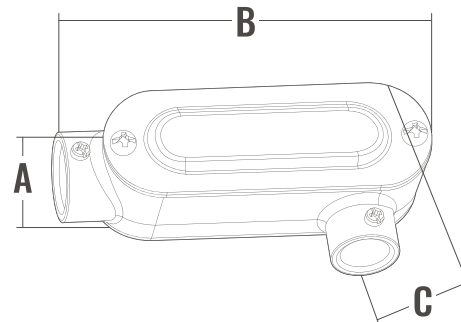
Conduit bodies are used to gain access to the interior of a raceway for wire pulling, inspection and maintenance, where the raceway changes direction

### FEATURES

- Match with EMT / IMC / RIGID Conduit
- Includes cover

### MATERIALS / FINISH

- Die Cast Aluminum
- Powder coat



AMMO#	SIZE	A (in)	B (in)	C (in)	WEIGHT (g)	PKG	UPC
ARLLC-50CF	1/2"	1.59	4.31	2.02	125.2	100	837654071571
ARLLC-75CF	3/4"	1.86	5.08	2.30	180.0	50	837654071588
ARLLC-100CF	1"	2.12	5.92	2.68	226.8	25	837654071595
ARLLC-125CF	1-1/4"	2.73	7.81	3.52	519.0	10	837654071601
ARLLC-150CF	1-1/2"	2.73	7.81	3.52	527.0	10	837654071618
ARLLC-200CF	2"	3.64	10.05	4.27	1005.0	10	837654071625

## CONDUIT BODIES



400 MARTIN LUTHER KING JR WAY, BRIDGETON, NJ 08302  
 PHONE : (718).338.1851 FAX : (718).228.1851  
 orders@ammoelectric.com

[www.ammoelectric.com](http://www.ammoelectric.com)