



CATEGORY

CONDUIT BODIES

AMMO ITEM #

ARLLE-CF

Company: _____

Job: _____ #Item: _____

Notes: _____

EMT Conduit Bodies

Set Screw with Cover - LL Type



APPLICATIONS

- Act as pull outlets for conductors being installed
- Make bends and change direction for conduit system
- Provide opening for splicing
- Allow for branch connection runs
- Provide for access to conductors for future maintenance and system changes

FEATURES

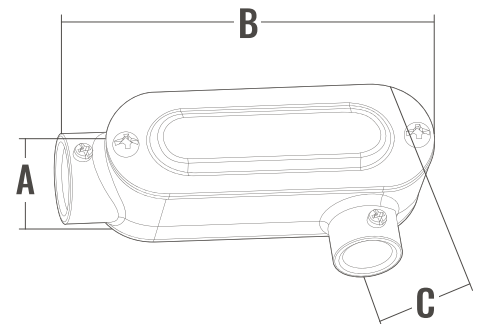
- Die cast copper-free aluminum construction is lightweight and corrosion resistant for long reliable service
- Epoxy powder coat finish provides additional corrosion resistance in a good appearance
- Flat back suitable for mounting on surface
- Provide flexible choices for orders, supply with separate bodies or as assembly
- Rated for Wet Locations when used with cover and gasket to join threaded Rigid conduit

MATERIALS

- Body: die cast aluminum
- Covers: stamped steel

CERTIFICATIONS

- UL Standard: 514A
- CSA-C22.2 No. 45.2



AMMO#	SIZE	A (in)	B (in)	C (in)	WEIGHT (g)	PKG	UPC
ARLLE-50CF	1/2"	1.37	4.29	2.03	136.07	100	837654075203
ARLLE-75CF	3/4"	1.62	5.09	2.33	208.65	50	837654075210
ARLLE-100CF	1"	1.90	5.91	2.65	326.58	25	837654075227
ARLLE-125CF	1-1/4"	2.77	7.89	3.38	635.02	10	837654075234
ARLLE-150CF	1-1/2"	2.77	7.89	3.38	725.74	10	837654075241
ARLLE-200CF	2"	3.33	10.13	3.81	1270.05	10	837654075258
ARLLE-250CF	2-1/2"	5.43	12.50	4.45	2721.55	1	837654075265
ARLLE-300CF	3"	5.65	12.50	4.45	2721.55	1	837654075272
ARLLE-350CF	3-1/2"	6.92	15.50	5.50	3628.74	1	837654075289
ARLLE-400CF	4"	6.92	15.50	5.50	3628.74	1	837654075296

CONDUIT BODIES



400 MARTIN LUTHER KING JR WAY, BRIDGETON, NJ 08302
 PHONE : (718).338.1851 FAX : (718).228.1851
 orders@ammoelectric.com

www.ammoelectric.com