



CATEGORY

PVC

AMMO ITEM #

ARLLPVC

Company: _____

Job: _____ #Item: _____

Notes: _____

Conduit Body PVC Type LL



AMMO#	SIZE	A (in)	B (in)	C (in)	D (in)	WEIGHT (g)	PKG	UPC
ARLLPVC-50	1/2"	4	1.4375	1.3125	4.25	76.2	25	837654110539
ARLLPVC-75	3/4"	4.625	1.625	1.50	4.9375	176.5	15	837654110546
ARLLPVC-100	1"	5.375	2	1.75	6	161.5	10	837654110553
ARLLPVC-125	1-1/4"	7.1875	2.4375	2.4375	7.625	407.5	10	837654110560
ARLLPVC-150	1-1/2"	8	2.8125	2.625	8.5625	379.5	10	837654110577
ARLLPVC-200	2"	9.50	3.4375	3.0625	9.875	649	5	837654110584

APPLICATIONS

- Provides access to conductors for pulling, splicing and maintenance
- LL Style Conduit Bodies are designed to allow for easy access to the interior of a conduit system for wire pulling and splicing
- They are compatible with both IMC and Rigid Conduit and feature a removable cover and gasket for maintenance work
- Used for a 90 degree change of direction of a conduit run

FEATURES

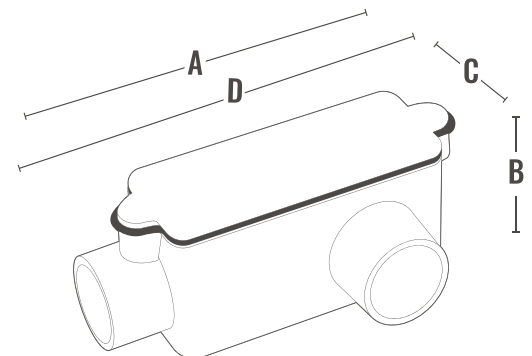
- Set screw LL type with cover and gasket
- Suitable for use in concrete
- Lightweight, noncorrosive and nonconductive PVC construction enables easy installation in small areas
- Removable cover with zinc plated screws

MATERIAL

PVC

CERTIFICATIONS

- UL 514C: 2014
- Ed.4+R: 18Aug2020



PVC



1000 COMMERCE CENTER DR ELKTON MD 21921
 PHONE : (718).338.1851 FAX : (718).228.1851
 orders@ammoelectric.com

www.ammoelectric.com