



CATEGORY

PVC

AMMO ITEM #

ARLRPVC

Company: _____

Job: _____ #Item: _____

Notes: _____

Conduit Body PVC Type LR



AMMO#	SIZE	A (in)	B (in)	C (in)	D (in)	WEIGHT (g)	PKG	UPC
ARLRPVC-50	1/2"	4	1.4375	1.3125	4.25	76	25	837654110591
ARLRPVC-75	3/4"	4.625	1.625	1.50	4.9375	176	15	837654110607
ARLRPVC-100	1"	5.375	2	1.75	6	163	10	837654110614
ARLRPVC-125	1-1/4"	7.1875	2.4375	2.4375	7.625	409	10	837654110621
ARLRPVC-150	1-1/2"	8	2.8125	2.625	8.5625	384	10	837654110638
ARLRPVC-200	2"	9.50	3.4375	3.0625	9.875	657	5	837654110645

APPLICATIONS

- To provide access to conductors for pulling, dividing and maintenance
- Threaded for rigid conduit RMC and IMC
- Conduit Bodies can apply in many fields such as Power plant, Petro-chemical plant, and regular construction site

FEATURES

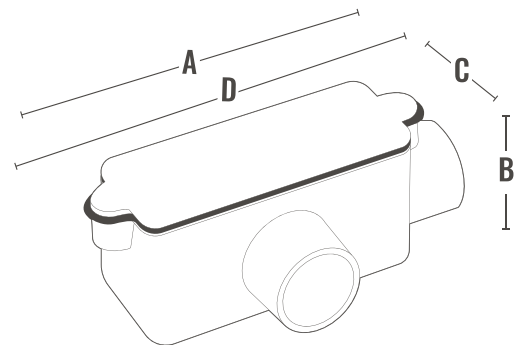
- Our Conduit bodies features are smooth, and rounded integral bushings in hubs will protect conductor insulation
- Accurately tapped, tapered threads for tight, rigid joints and excellent ground continuity
- Conduit bodies with cast covers and gasket are suitable for use in wet locations
- Conduit bodies can provide installed conductors with pull outlets
- Flat back design provides greater cubic content for easier wire pulling, and more room for splicing. Fits flush and snug against flat surfaces for more stable installation
- Conduit Bodies are supplied with threaded hubs for use with rigid or IMC pipe or as a joint body

MATERIAL

PVC

CERTIFICATIONS

- UL 514C: 2014
- Ed.4+R: 18Aug202



PVC



1000 COMMERCE CENTER DR ELKTON MD 21921
PHONE : (718).338.1851 FAX : (718).228.1851
orders@ammoelectric.com

www.ammoelectric.com