



CATEGORY
**ELECTRICAL
FITTINGS**

AMMO ITEM #

**ARLTCN90
50I-200I**

Company: _____

Job: _____ #Item: _____

Notes: _____

Liquid Tight 90° Connectors Insulated Zinc



APPLICATION

For use with metallic and non-metallic "Type B" liquidtight conduit

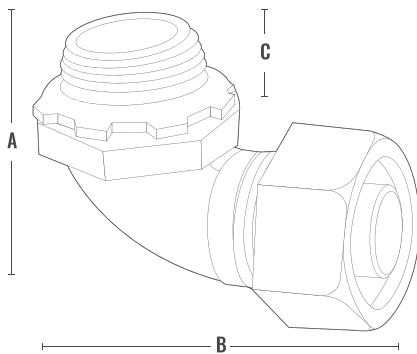
FEATURES

- Assembled with a die cast locknut
- Liquidtight, raintight, oiltight
- Insulated throat protects against abrasion damage

MATERIAL

Zinc die cast

AMMO#	SIZE	A (in)	B (in)	C (in)	WEIGHT (g)	INNER	MASTER	UPC
ARLTCN90-50I	1/2"	2.22	2.34	.52	84.1	10	100	837654068496
ARLTCN90-75I	3/4"	2.55	3.55	.68	105.1	10	100	837654068502
ARLTCN90-100I	1"	2.82	3.785	.67	185.9	5	50	837654068519
ARLTCN90-125I	1-1/4"	3.362	3.96	.70	297.9	2	20	837654068526
ARLTCN90-150I	1-1/2"	3.45	4.13	.70	375	2	20	837654068533
ARLTCN90-200I	2"	4.036	4.70	.57	500	1	10	837654068540



ELECTRICAL FITTINGS



400 MARTIN LUTHER KING JR WAY, BRIDGETON, NJ 08302
PHONE : (718).338.1851 FAX : (718).228.1851
orders@ammoelectric.com

www.ammoelectric.com