



CATEGORY
**ELECTRICAL
FITTINGS**

AMMO ITEM #

ARLTGN90
38MI-400MI

Company: _____

Job: _____ #Item: _____

Notes: _____

Liquid Tight 90° Ground Connector Malleable Iron



APPLICATIONS

- To secure, ground and seal liquid-tight flexible metal conduit to boxes and enclosures
- Connects conduit and terminates bonding conductor run externally across liquid-tight conduit

FEATURES

- Tapered threaded male hub NPT
- Compact, slim diameter with small turning radius
- Furnished with an insulated throat with steel locknut and sealing ring
- Suitable for wet locations
- Long ferrule prevents pullout and tight bend conduit "pop-out"
- RoHS compliant

MATERIALS

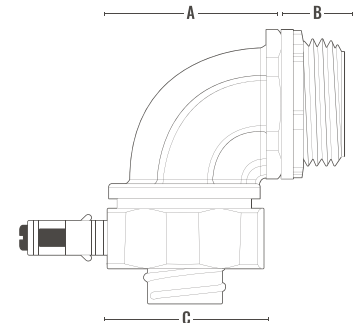
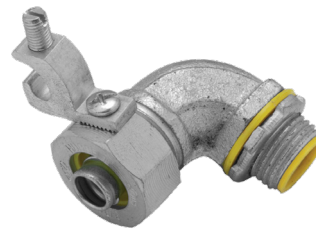
- Malleable iron
- Steel locknut

CERTIFICATIONS

- UL Standards: 514B
- CUL Standard: C22.2 No.18.3-12
- Fed. Spec. W-F-408E
- NEMA: FB-1

FINISHES

- Malleable iron - electro zinc plated and chromate coated
- Steel - electro zinc plated and chromate coated
- PE, PP, Alum - natural



AMMO#	SIZE	A (in)	B (in)	C (in)	LUG SIZE	WEIGHT (kg)	INNER	MASTER	UPC
ARLTGN90-38MI	3/8"	2.541	0.536	1.120	4 - 14	0.124	5	50	837654104613
ARLTGN90-50MI	1/2"	2.749	0.543	1.241	4 - 14	0.137	5	50	837654104620
ARLTGN90-75MI	3/4"	2.977	0.58	1.503	4 - 14	0.197	2	20	837654104637
ARLTGN90-100MI	1"	3.644	0.675	1.763	4 - 14	0.300	2	20	837654104644
ARLTGN90-125MI	1-1/4"	4.138	0.695	2.248	4 - 14	0.480	2	20	837654104651
ARLTGN90-150MI	1-1/2"	4.635	0.694	2.471	4 - 14	0.525	2	20	837654104668
ARLTGN90-200MI	2"	5.347	0.729	3.007	4 - 14	0.834	2	20	837654104675
ARLTGN90-250MI	2 -1/2"	8.217	1.056	3.654	1/0 - 8	2.120	-	1	837654104682
ARLTGN90-300MI	3"	9.180	1.104	4.471	1/0 - 8	2.900	-	1	837654104699
ARLTGN90-350MI	3-1/2"	9.871	1.163	4.942	3/0 - 6	4.080	-	1	837654104705
ARLTGN90-400MI	4"	10.757	1.155	5.501	3/0 - 6	4.600	-	1	837654104712

ELECTRICAL FITTINGS



400 MARTIN LUTHER KING JR WAY, BRIDGETON, NJ 08302
PHONE : (718).338.1851 FAX : (718).228.1851
orders@ammoelectric.com

www.ammoelectric.com