



CATEGORY
ELECTRICAL
FITTINGS

AMMO ITEM #

ARMCD-50

Company: _____
Job: _____ #Item: _____
Notes: _____

BX-Flex, NM / MC Set Screw Type Connector



APPLICATION

Used to connect armored or metal clad cable or FMC to box or enclosure

FEATURES

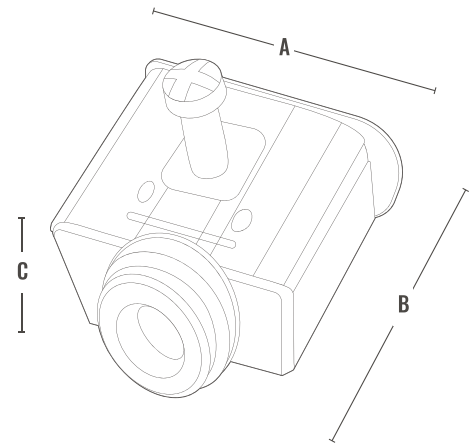
Construction with captive clamp

MATERIAL

Steel / Zinc Plated

CERTIFICATIONS

- UL File: NO.E317577
- UL Standard: 514B



AMMO#	SIZE	A (in)	B (in)	C (in)	WEIGHT (g)	PKG	UPC
ARMCD-50	1/2"	1.74	1.6	0.94	51	25	837654117538

ELECTRICAL FITTINGS



400 MARTIN LUTHER KING JR WAY, BRIDGETON, NJ 08302
PHONE : (718).338.1851 FAX : (718).228.1851
orders@ammoelectric.com

www.ammoelectric.com