



CATEGORY
**ELECTRICAL
FITTINGS**

AMMO ITEM #

**ARMCN
38-75**

Company: _____
 Job: _____ #Item: _____
 Notes: _____

Armored Cable Fitting



APPLICATION

- Used to connect flexible metal conduit to box or enclosure
- Indoor use only and a dry locations

FEATURES

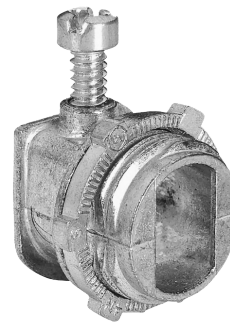
Set screw type

MATERIAL

Zinc die cast

CERTIFICATIONS

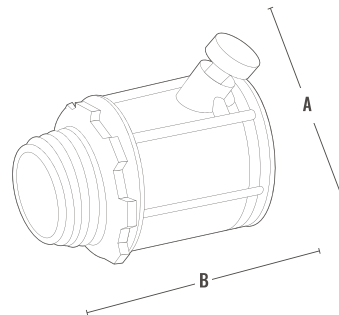
- UL File: NO.E307843
- UL Standard: 514B



ARMCN-38



ARMCN-50



AMMO#	SIZE	A (in)	B (in)	WEIGHT (g)	INNER	MASTER	UPC
ARMCN-38	3/8"	0.88	0.72	15.5	100	1000	837654065402
ARMCN-50	1/2"	1.14	1.40	34.0	25	250	837654117545
ARMCN-75	3/4"	1.37	1.45	43.0	25	250	837654117552

ELECTRICAL FITTINGS



400 MARTIN LUTHER KING JR WAY, BRIDGETON, NJ 08302
 PHONE : (718).338.1851 FAX : (718).228.1851
 orders@ammoelectric.com

www.ammoelectric.com