



CATEGORY
**CONDUIT
BODIES**

AMMO ITEM #

ARMGLBR
100MI-400MI

Company: _____
Job: _____ #Item: _____
Notes: _____

Mogul Conduit Body Type LB



APPLICATIONS

- Serve as a pull outlets for conductors that are stiff
- Use to pull straight or 90° angle turns or making taps and splices
- Provides long and large openings for pulling large conductors, splicing and taps

FEATURES

- Access to wiring for maintenance and future changes
- Assembled with raised cover, gasket and stainless steel cover screws
- Smooth and round integral hub bushings protect conductor insulation
- Built in cable pulling roller
- Threaded NPT tapered hubs for Rigid and IMC conduit

MATERIALS

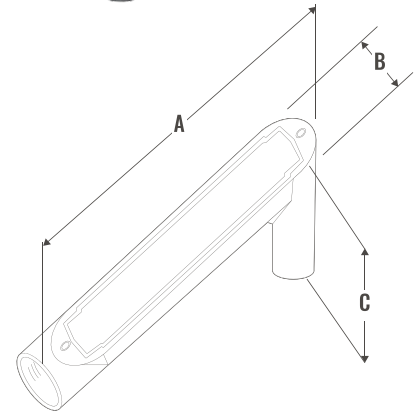
- Body: malleable iron
- Gasket: neoprene rubber
- Screws: stainless steel

FINISH

Hot dip galvanized

CERTIFICATION

UL 514A



AMMO#	SIZE	A (in)	B (in)	C (in)	WEIGHT (g)	PKG	UPC
ARMGLBR-100MI	1"	8.622	2.185	2.811	1109	1	837654118689
ARMGLBR-125MI	1-1/4"	8.622	2.185	3.252	1368	1	837654118696
ARMGLBR-150MI	1-1/2"	12.717	3.031	3.630	2070	1	837654118702
ARMGLBR-200MI	2"	12.717	3.031	4.224	3351	1	837654118719
ARMGLBR-250MI	2-1/2"	16.929	4.272	5.217	6079	1	837654118726
ARMGLBR-300MI	3"	16.929	4.272	6.024	7504	1	837654118733
ARMGLBR-350MI	3-1/2"	22.205	5.307	6.709	1190	1	837654118740
ARMGLBR-400MI	4"	22.205	5.307	7.189	1320	1	837654118757

CONDUIT BODIES



400 MARTIN LUTHER KING JR WAY, BRIDGETON, NJ 08302
PHONE : (718).338.1851 FAX : (718).228.1851
orders@ammoelectric.com

www.ammoelectric.com