



CATEGORY
CONDUIT BODIES
 AMMO ITEM #

ARMGLLR-MI

Company: _____
 Job: _____ #Item: _____
 Notes: _____

Mogul Conduit Bodies with Cover and Gasket

LL Type - Hot Dip Galvanized - Malleable Iron



APPLICATION

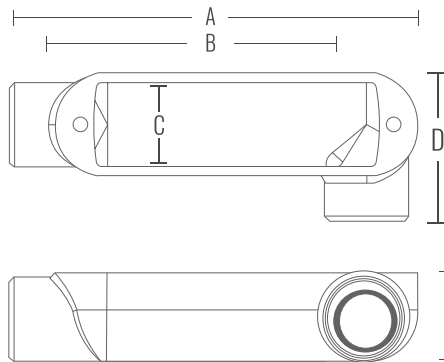
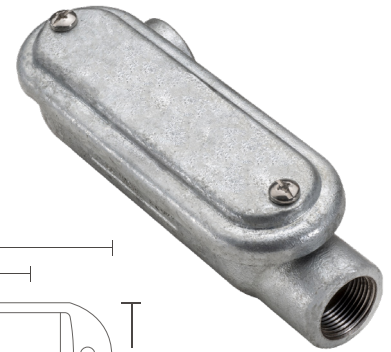
- Use to pull straight or 90° angle turns or making taps and splices
- Provides long and large openings for pulling large conductors, splicing and taps
- Serve as a pull outlets for conductors that are stiff

FEATURES

- Threaded NPT tapered hubs for Rigid and IMC conduit
- Smooth and round integral hub bushings protect conductor insulation
- Access to wiring for maintenance and future changes
- Assembled with raised cover, gasket and stainless steel cover screws

MATERIAL

- Body - Malleable iron
- Gasket - Neoprene rubber
- Screws - Stainless steel



AMMO#	SIZE	A (in)	B (in)	C (in)	D (in)	E (in)	WEIGHT (g)	PKG	UPC
ARMGLLR-100MI	1"	8.62	5.98	1.71	3.12	1.87	1738	1	837654118764
ARMGLLR-125MI	1-1/4"	8.62	5.98	1.71	3.12	2.31	1997	1	837654118771
ARMGLLR-150MI	1-1/2"	12.72	10	2.26	4.08	2.58	3496	1	837654118788
ARMGLLR-200MI	2"	12.72	10	2.26	4.08	2.58	4777	1	837654118795
ARMGLLR-250MI	2-1/2"	16.99	15	3.41	5.67	3.76	9214	1	837654121207
ARMGLLR-300MI	3"	16.99	15	3.41	5.67	4.57	10639	1	837654121214
ARMGLLR-350MI	3-1/2"	22.76	19.97	4.28	6.92	5.02	17085	1	837654121221
ARMGLLR-400MI	4"	22.76	19.97	4.28	6.92	5.12	18385	1	837654121238

CONDUIT BODIES



400 MARTIN LUTHER KING JR WAY, BRIDGETON, NJ 08302
 PHONE : (718).338.1851 FAX : (718).228.1851
 orders@ammoelectric.com

www.ammoelectric.com