



CATEGORY
**CONDUIT
 BODIES**
 AMMO ITEM #

ARMGLRR-MI

Company: _____
 Job: _____ #Item: _____
 Notes: _____



Mogul Conduit Bodies with Cover and Gasket

LR Type - Hot Dip Galvanized - Malleable Iron

APPLICATION

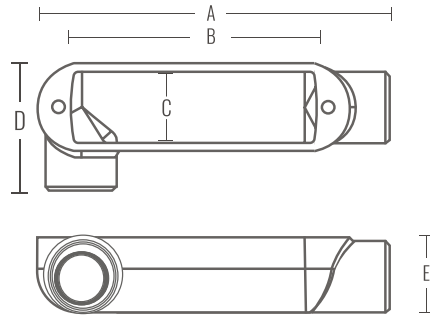
- Use to pull straight or 90° angle turns or making taps and splices
- Provides long and large openings for pulling large conductors, splicing and taps
- Serve as a pull outlets for conductors that are stiff

FEATURES

- Threaded NPT tapered hubs for Rigid and IMC conduit
- Smooth and round integral hub bushings protect conductor insulation
- Access to wiring for maintenance and future changes
- Assembled with raised cover, gasket and stainless steel cover screws

MATERIAL

- Body - Malleable iron
- Gasket - Neoprene rubber
- Screws - Stainless steel



AMMO#	SIZE	A (in)	B (in)	C (in)	D (in)	E (in)	WEIGHT (g)	PKG	UPC
ARMGLRR-100MI	1"	8.62	5.98	1.71	3.12	1.87	1738	1	837654118801
ARMGLRR-125MI	1-1/4"	8.62	5.98	1.71	3.12	2.31	1997	1	837654118818
ARMGLRR-150MI	1-1/2"	12.72	10	2.26	4.08	2.58	3496	1	837654118825
ARMGLRR-200MI	2"	12.72	10	2.26	4.08	3.17	4777	1	837654118832
ARMGLRR-250MI	2-1/2"	16.99	15	3.41	5.67	3.76	9214	1	837654120279
ARMGLRR-300MI	3"	16.99	15	3.41	5.67	4.57	10639	1	837654120286
ARMGLRR-350MI	3-1/2"	22.76	19.97	4.28	6.92	5.02	17085	1	837654120293
ARMGLRR-400MI	4"	22.76	19.97	4.28	6.92	5.12	18385	1	837654120309

CONDUIT BODIES



400 MARTIN LUTHER KING JR WAY, BRIDGETON, NJ 08302
 PHONE : (718).338.1851 FAX : (718).228.1851
 orders@ammoelectric.com

www.ammoelectric.com