



CATEGORY
**CONDUIT
 BODIES**
 AMMO ITEM #

ARMHDG-MI

Company: _____
 Job: _____ #Item: _____
 Notes: _____

Conduit Body Covers Malleable Iron

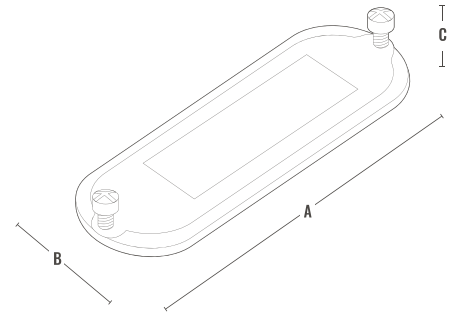


FEATURES

- Hot dip galvanized for added durability and corrosion protection, use with gasket for wet locations
- Includes screws

MATERIAL / FINISH

- Malleable iron
- Galvanized steel screws
- Hot dip galvanized



AMMO#	SIZE	A (in)	B (in)	C (in)	WEIGHT (g)	PKG	UPC
ARMHDG-50MI	1/2"	3.938	1.313	0.188	100	100	837654118535
ARMHDG-75MI	3/4"	4.625	1.500	0.188	135	100	837654118542
ARMHDG-100MI	1"	5.313	1.750	0.250	185	50	837654118559
ARMHDG-125/150MI	1-1/4"-1-1/2"	7.188	2.5	0.313	360	25	837654118566
ARMHDG-200MI	2"	9.5	3.188	0.313	895	25	837654118573
ARMHDG-250/300MI	2-1/2"-3"	12.25	4.313	1.063	1575	10	837654118580
ARMHDG-350/400MI	3-1/2"-4"	14.875	5.625	1.125	2515	10	837654118597

CONDUIT BODIES



400 MARTIN LUTHER KING JR WAY, BRIDGETON, NJ 08302
 PHONE : (718).338.1851 FAX : (718).228.1851
 orders@ammoelectric.com

www.ammoelectric.com