



CATEGORY
**ELECTRICAL
 FITTINGS**

AMMO ITEM #

ARMP4A-AB

Company: _____
 Job: _____ #Item: _____
 Notes: _____



Cable Tie Mount Pads Adhesive

APPLICATIONS

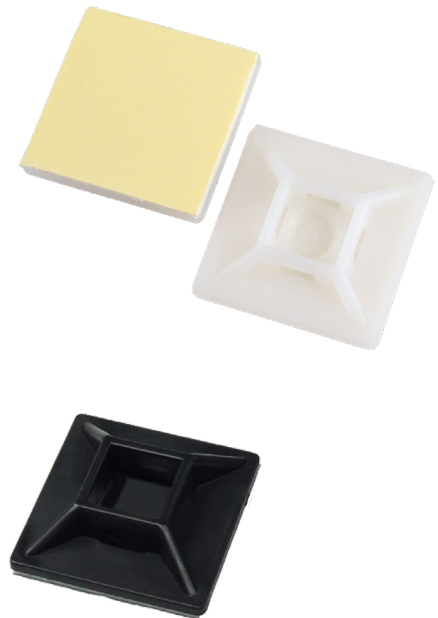
- For safe organization of cables
- Wrap the Cable and fix with mounts pad

FEATURES

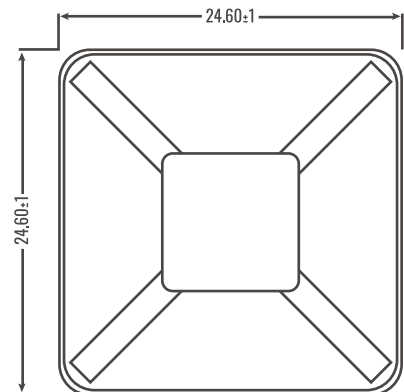
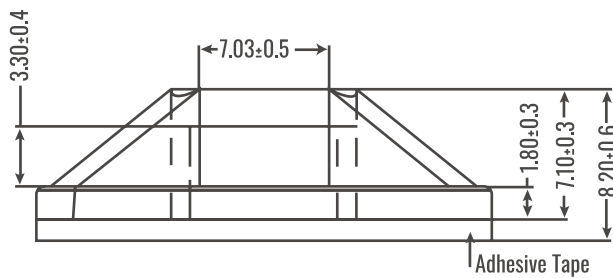
- Adhesive base
- Natural: ABS+Adhesive Tape
- Flammability of raw material : UL 94 - HB
- Installation temperature: 18° C ~ 25° C
- Stocking temperature: 22° C +/-1° C
- Operation temperature: -20° C ~ +50° C
- Tear off strength: 2000 gram
- Holding force: 1000 gram (>72 hours)

MATERIAL

Nylon PA66



| AMMO# | SIZE | COLOR | WEIGHT (g) | PKG | UPC |
|----------------|---------|-------|------------|-----|--------------|
| ARMP4A | 25x25mm | White | 1.59 | 100 | 837654113745 |
| ARMP4AB | 25x25mm | Black | 1.59 | 100 | 837654113752 |



ELECTRICAL FITTINGS



400 MARTIN LUTHER KING JR WAY, BRIDGETON, NJ 08302
 PHONE : (718).338.1851 FAX : (718).228.1851
 orders@ammoelectric.com

www.ammoelectric.com