



CATEGORY
**ELECTRICAL
FITTINGS**

AMMO ITEM #

**ARNMCN
50-200**

Company: _____
Job: _____ #Item: _____
Notes: _____

NM Clamp Type Connectors



AMMO#	SIZE	A (in)	B (in)	AWG CABLE	FITS CABLE	WEIGHT (g)	INNER	MASTER	UPC
ARNMCN-50	3/8"-1/2"	0.814	0.44	NM Sheathed Cable 14-2 thru 12-2	Flexible cord 0.290" to 0.450"	28	100	1000	837654066362
ARNMCN-75	3/4"	1.03	0.42	NM Sheathed Cable 10-3 thru 8-2	Oval 0.520" by 0.610" to 0.510" by 0.800" & Round 0.570" to 0.690"	32	25	250	837654066379
ARNMCN-100	1"	1.20	0.57	NM Sheathed Cable 10-3 thru 4-3	Oval 0.510" by 0.800" to 0.620" by 0.975" & Round 0.690" to 0.920"	54	25	250	837654066386
ARNMCN-125	1-1/4"	1.32	0.64	NM Sheathed Cable 4-3 thru 2-3	Oval 0.670" by 1.060" to 0.730" by 1.235" & Round 1.190"	71	10	100	837654066393
ARNMCN-150	1-1/2"	1.32	0.60	-	Oval 0.720" by 1-5 / 16"	94	10	100	837654066409
ARNMCN-200	2"	1.55	0.71	-	Oval 0.940" by 1-9 / 16"	143	5	50	837654066416

APPLICATION

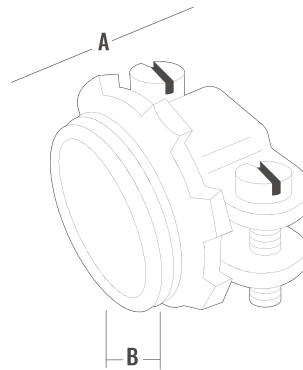
In a dry location, use to connect non-metallic sheathed cable to a steel outlet box or other metal enclosure

FEATURE

Two tri-combo screws and zinc die cast locknut

MATERIAL

Zinc Die Cast



ELECTRICAL FITTINGS



400 MARTIN LUTHER KING JR WAY, BRIDGETON, NJ 08302
PHONE : (718).338.1851 FAX : (718).228.1851
orders@ammoelectric.com

www.ammoelectric.com