



CATEGORY

**STRUT &
GROUND**

AMMO ITEM #

AROS
50-400

Company: _____
 Job: _____ #Item: _____
 Notes: _____

EMT One Hole Strap Steel Steel



EMT straps secure EMT conduit to wood, masonry or other surfaces

APPLICATION

Support EMT Conduit in dry locations

MATERIAL

SPHC Steel

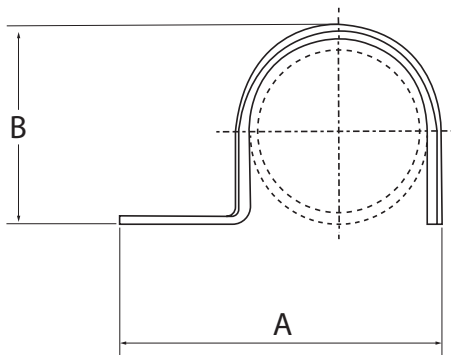
FEATURES

- Snap-on type EMT strap with one hole
- Inverted rib for strength

FINISH

Zinc Planted

AMMO#	SIZE	A (in)	B (in)	WEIGHT (g)	INNER	MASTER	UPC
AROS-50	1/2"	1.56	0.54	7.80	100	1000	837654065129
AROS-75	3/4"	1.91	0.62	11.70	100	1000	837654065136
AROS-100	1"	2.22	0.74	21.13	50	500	837654065143
AROS-125	1-1/4"	2.83	0.86	38.91	25	250	837654065150
AROS-150	1-1/2"	3.02	0.86	42.00	10	100	837654065167
AROS-200	2"	3.87	1.02	78.01	10	100	837654065174
AROS-250	2-1/2"	5.03	1.17	165.60	-	50	837654065181
AROS-300	3"	5.70	1.17	179.98	-	25	837654065198
AROS-350	3-1/2"	6.39	1.17	199.98	-	25	837654088456
AROS-400	4"	6.85	1.17	233.01	-	25	837654065204



STRUT & GROUND



400 MARTIN LUTHER KING JR WAY, BRIDGETON, NJ 08302
 PHONE : (718).338.1851 FAX : (718).228.1851
 orders@ammoelectric.com

www.ammoelectric.com