



CATEGORY
**ELECTRICAL
 FITTINGS**
 AMMO ITEM #
ARPCS-HDG

Company: _____
 Job: _____ #Item: _____
 Notes: _____

Parallel Conduit Support



APPLICATION

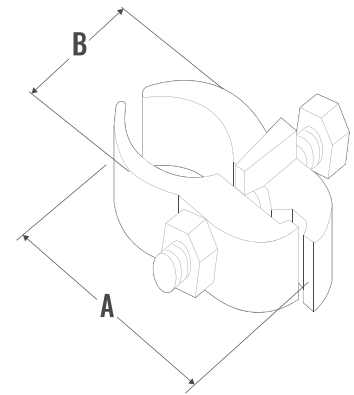
Parallel beam conduit clamps are used to mount EMT, rigid, or IMC conduit parallel to beam, channel and angle supports

FEATURE

Hot dip galvanized over malleable iron for added durability and corrosion protection

MATERIALS

- Malleable iron
- Hot dip galvanized



AMMO#	SIZE	A (in)	B (in)	WEIGHT (g)	PKG	UPC
ARPCS-50HDG	1/2"	2.875	1.438	284	50	837654111543
ARPCS-75HDG	3/4"	3.063	1.688	284	50	837654111550
ARPCS-100HDG	1"	3.250	2.000	324	50	837654111567
ARPCS-125HDG	1-1/4"	3.625	2.125	368	25	837654111574
ARPCS-150HDG	1-1/2"	3.875	2.188	408	25	837654111581
ARPCS-200HDG	2"	4.625	2.875	528	25	837654111598
ARPCS-250HDG	2-1/2"	5.250	3.250	670	10	837654111604
ARPCS-300HDG	3"	5.875	3.875	720	10	837654111611
ARPCS-350HDG	3-1/2"	6.313	4.313	940	10	837654111628
ARPCS-400HDG	4"	6.813	4.813	1020	10	837654111635

ELECTRICAL FITTINGS



400 MARTIN LUTHER KING JR WAY, BRIDGETON, NJ 08302
 PHONE : (718).338.1851 FAX : (718).228.1851
 orders@ammoelectric.com

www.ammoelectric.com