



CATEGORY

LINE  
SUPPLIES

AMMO ITEM #

ARPMWH002

Company: \_\_\_\_\_  
Job: \_\_\_\_\_ #Item: \_\_\_\_\_  
Notes: \_\_\_\_\_

# Pipe Mounting Wireholders Universal

### APPLICATION

Clamp conductor

### FINISH

Silvery

### FEATURES

Clamp

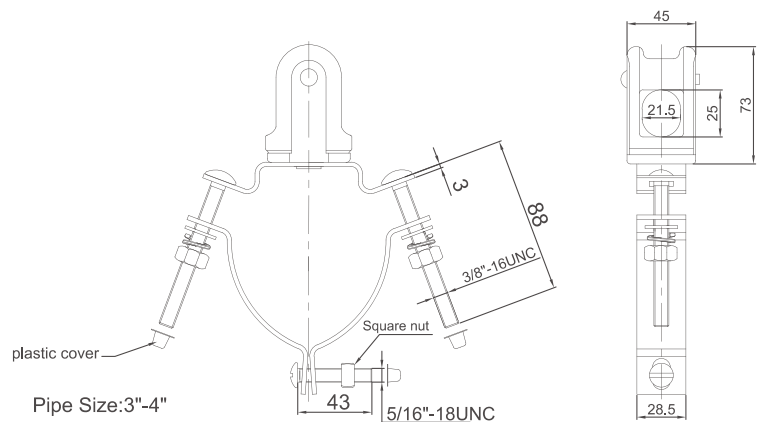
### CERTIFICATION

ISO9001: 2015

### MATERIAL

- Body: porcelain
- Clamp: iron

AMMO#	REINFORCED PIPE SIZE	WEIGHT (g)	PKG	UPC
ARPMWH002	3" - 4"	614	25	83765409249



## LINE SUPPLIES



400 MARTIN LUTHER KING JR WAY, BRIDGETON, NJ 08302  
PHONE : (718).338.1851 FAX : (718).228.1851  
orders@ammoelectric.com

www.ammoelectric.com