



CATEGORY

LINE
SUPPLIES

AMMO ITEM #

ARPMWH006

Company: _____
Job: _____ #Item: _____
Notes: _____

Strain Insulator

APPLICATION

Insulation

FINISH

Grey

FEATURE

Insulation

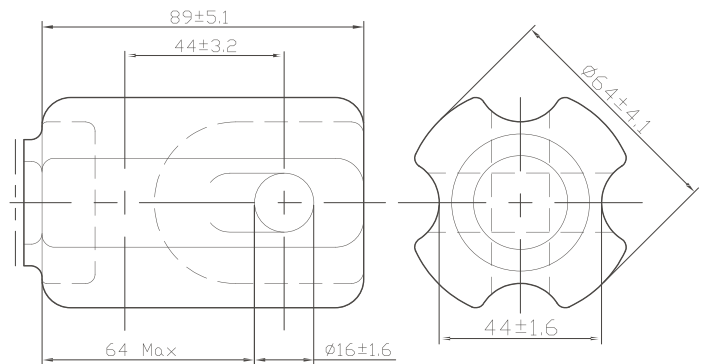
CERTIFICATION

ISO9001: 2015

MATERIAL

Porcelain

AMMO#	L	DIA	HOLE	WEIGHT (g)	PKG	UPC
ARPMWH006	3-1/2"	2-1/2"	5/8"	500	50	837654092538



LINE SUPPLIES



400 MARTIN LUTHER KING JR WAY, BRIDGETON, NJ 08302
PHONE : (718).338.1851 FAX : (718).228.1851
orders@ammoelectric.com

www.ammoelectric.com