



CATEGORY
**ELECTRICAL
 FITTINGS**
 AMMO ITEM #
ARRACS-HDG

Company: _____
 Job: _____ #Item: _____
 Notes: _____

Right Angle Conduit Support



APPLICATION

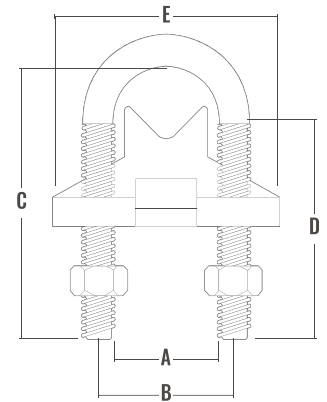
Right angle conduit clamps are used to mount EMT or rigid conduit across, parallel, or perpendicular to beam, channel or angle supports

FEATURE

Hot dip galvanized over malleable iron for added durability and corrosion protection

MATERIALS

- Malleable iron
- Hot dip galvanized



AMMO#	SIZE	A (in)	B (in)	C (in)	D (in)	E (in)	WEIGHT (g)	PKG	UPC
ARRACS-50HDG	1/2"	1.000	1.250	2.500	1.813	2.063	159	50	837654111444
ARRACS-75HDG	3/4"	1.125	1.375	2.813	1.813	2.250	170	50	837654111451
ARRACS-100HDG	1"	1.375	1.625	3.063	1.813	2.563	212	50	837654111468
ARRACS-125HDG	1-1/4"	1.750	2.000	3.188	1.813	2.875	220	50	837654111475
ARRACS-150HDG	1-1/2"	2.000	2.375	3.500	1.813	3.250	248	50	837654111482
ARRACS-200HDG	2"	2.500	2.500	4.500	2.625	4.063	399	50	837654111499
ARRACS-250HDG	2-1/2"	3.000	3.250	4.875	2.625	4.500	480	25	837654111505
ARRACS-300HDG	3"	3.625	3.875	5.375	2.625	5.125	578	25	837654111512
ARRACS-350HDG	3-1/2"	4.063	4.563	5.875	2.625	5.625	619	25	837654111529
ARRACS-400HDG	4"	4.688	5.063	6.688	2.625	6.125	715	25	837654111536

ELECTRICAL FITTINGS



400 MARTIN LUTHER KING JR WAY, BRIDGETON, NJ 08302
 PHONE : (718).338.1851 FAX : (718).228.1851
 orders@ammoelectric.com

www.ammoelectric.com