



CATEGORY

**NEC (Nipples,
Elbows & Couplings)**

AMMO ITEM #

**ARRC
01-10**

Company: _____

Job: _____ #Item: _____

Notes: _____

Rigid Compression Connector Steel



ARRC type compression connectors are used to join unthreaded rigid conduit or IMC to box or enclosure

FEATURES

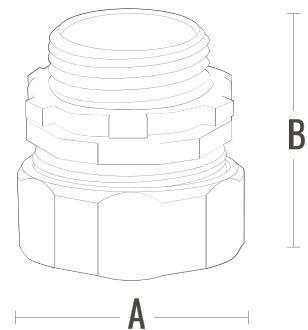
- Used to join unthreaded rigid conduit or IMC to box or enclosure
- Optional insulator available to protect cable from potential damage

MATERIALS / FINISHES

- Body / Gland Nut: Steel / Zinc Plated
- Gasket / Throat: High Performance Thermoplastic
- Locknut: Steel / Zinc Plated

COMPLIANCES AND CERTIFICATIONS

- UL File No. E477232
- UL-514B
- Federal Specification A-A-50553
- CSA Standard C22.2 18.3-04
- NEMA FB-1



AMMO#	SIZE	A (in)	B (in)	WEIGHT (g)	INNER	MASTER	UPC
ARRC01	1/2"	1.18	1.37	54.5	20	200	837654085714
ARRC02	3/4"	1.42	1.48	82.0	10	100	837654085721
ARRC03	1"	1.76	1.58	129.0	5	50	837654085738
ARRC04	1-1/4"	2.16	1.86	209.0	5	50	837654085745
ARRC05	1-1/2"	2.38	1.94	268.5	-	12	837654085752
ARRC06	2"	3.38	2.49	330.0	-	12	837654085769
ARRC07	2-1/2"	3.75	3.00	620.0	-	5	837654085776
ARRC08	3"	4.25	3.13	800.0	-	3	837654085783
ARRC09	3-1/2"	4.75	3.19	1000.0	-	2	837654085790
ARRC10	4"	5.31	3.44	1050.0	-	2	837654085806

NEC (Nipples, Elbows & Couplings)



400 MARTIN LUTHER KING JR WAY, BRIDGETON, NJ 08302
PHONE : (718).338.1851 FAX : (718).228.1851
orders@ammoelectric.com

www.ammoelectric.com