



CATEGORY
**ELECTRICAL
 FITTINGS**
 AMMO ITEM #
ARRCT-MI

Company: _____
 Job: _____ #Item: _____
 Notes: _____

Compression Connectors



APPLICATIONS

- Dry location only
- Use to join unthreaded Rigid or IMC conduit to steel outlet box or metal enclosure

FEATURES

- Compression type connector
- Threadless
- Concrete tight

MATERIAL

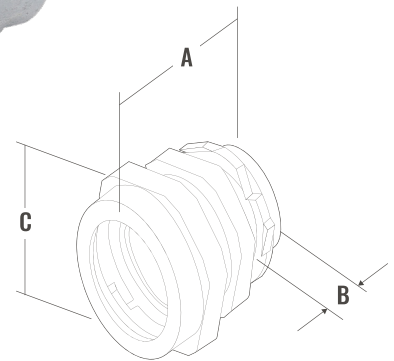
Malleable iron

FINISH

Panton 427C

CERTIFICATION

UL 514B



AMMO#	SIZE	A (in)	B (in)	C (in)	WEIGHT (g)	INNER	MASTER	UPC
ARRCT-50MI	1/2"	1.496	0.531	1.441	100	20	200	837654111918
ARRCT-75MI	3/4"	1.547	0.583	1.657	126	10	100	837654111925
ARRCT-100MI	1"	1.843	0.661	1.913	186	5	50	837654111932
ARRCT-125MI	1-1/4"	2.008	0.689	2.319	154	5	50	837654111949
ARRCT-150MI	1-1/2"	2.047	0.689	2.567	358	-	12	837654111956
ARRCT-200MI	2"	2.193	0.713	3.114	500	-	12	837654111963
ARRCT-250MI	2-1/2"	2.831	1.039	3.791	1000	-	5	837654111970
ARRCT-300MI	3"	3.209	1.122	4.429	1233	-	3	837654111987
ARRCT-350MI	3-1/2"	3.248	1.122	4.937	1600	-	2	837654111994
ARRCT-400MI	4"	3.445	1.122	5.465	1850	-	2	837654112007

ELECTRICAL FITTINGS



400 MARTIN LUTHER KING JR WAY, BRIDGETON, NJ 08302
 PHONE : (718).338.1851 FAX : (718).228.1851
 orders@ammoelectric.com

www.ammoelectric.com