



CATEGORY

**NEC (Nipples,  
Elbows & Couplings)**

AMMO ITEM #

**Rigid 90°  
Elbow**

Company: \_\_\_\_\_

Job: \_\_\_\_\_ #Item: \_\_\_\_\_

Notes: \_\_\_\_\_

## 90° Degree Rigid Elbow



AMMO#	SIZE	METRIC SIZE	MIN. RADIUS (in)	OFFSET C (in)	STRAIGHT END D (in)	WEIGHT (g)	PKG	UPC
ARRE-5090	1/2"	16	4	6.96	2.5	348	50	837654064634
ARRE-7590	3/4"	21	4.5	7.73	2.5	510	50	837654064641
ARRE-10090	1"	27	5.75	9.36	3	902	20	837654064658
ARRE-12590	1-1/4"	35	7.25	11.38	3.25	1415	20	837654064665
ARRE-15090	1-1/2"	41	8.25	12.76	3.5	1978	10	837654064672
ARRE-20090	2"	53	9.5	15.01	4.25	3097	10	837654064689
ARRE-25090	2-1/2"	63	10.5	17.11	5	5432	1	837654064696
ARRE-30090	3"	78	13	20.33	5.5	8285	1	837654064702
ARRE-35090	3-1/2"	91	15	23.38	6.25	12032	1	837654064719
ARRE-40090	4"	103	16	25.4	7	14788	1	837654064726
ARRE-50090	5"	129	24	37.86	11	30385	1	837654100271
ARRE-60090	6"	155	30	45.99	12.5	48066	1	837654100264

### FEATURES

- Low conductivity, high corrosion resistance
- Smooth defect free interior and exterior

### APPLICATION

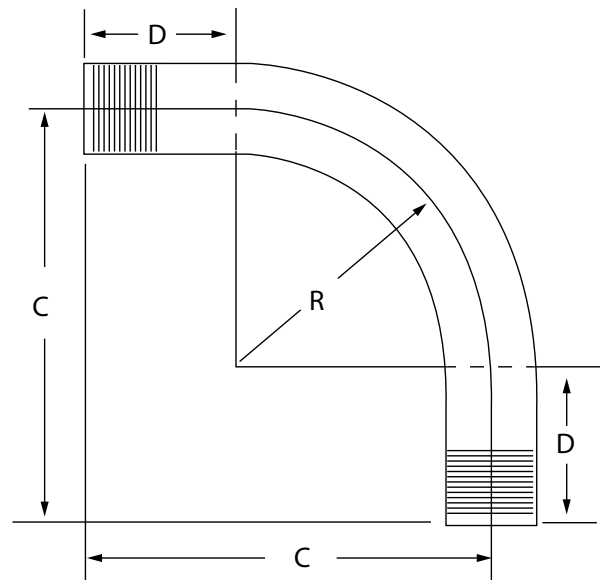
For a secure connection to Rigid conduit; bend enables directional changes in conduit

### MATERIAL

Galvanized steel

### FINISH

Hot dip galvanized



## NEC (Nipples, Elbows & Couplings)



400 MARTIN LUTHER KING JR WAY, BRIDGETON, NJ 08302  
 PHONE : (718).338.1851 FAX : (718).228.1851  
 orders@ammoelectric.com

www.ammoelectric.com