



CATEGORY  
**CONDUIT  
BODIES**

AMMO ITEM #

**ARRLC  
50G7-400G7**

Company: \_\_\_\_\_  
Job: \_\_\_\_\_ #Item: \_\_\_\_\_  
Notes: \_\_\_\_\_

# Rigid Conduit Body Form 7, Type LC



## APPLICATION

To provide access to conductors for pulling, splicing and maintenance

## FEATURES

- Tapered threaded hubs NPT
- Suitable for use in concrete

## MATERIAL

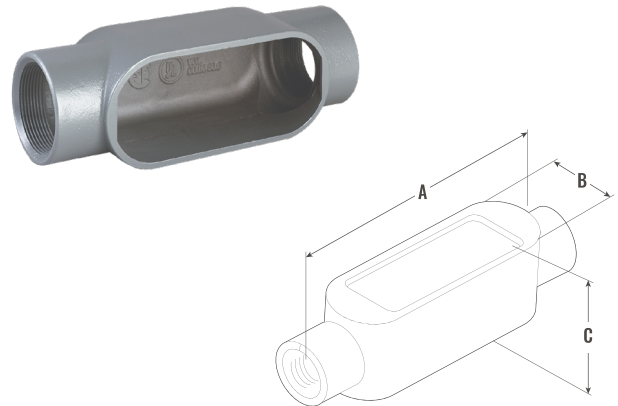
Gray iron

## FINISH

Panton 427C

## CERTIFICATION

UL514A



AMMO#	SIZE	A (in)	B (in)	C (in)	WEIGHT (g)	PKG	UPC
ARRLC-50G7	1/2"	5.313	1.313	1.375	460	10	837654112496
ARRLC-75G7	3/4"	6.000	1.563	1.688	580	10	837654112502
ARRLC-100G7	1"	7.000	1.750	1.875	820	5	837654112519
ARRLC-125G7	1-1/4"	7.625	2.188	2.375	1180	10	837654112526
ARRLC-150G7	1-1/2"	8.188	2.438	2.625	1580	10	837654112533
ARRLC-200G7	2"	9.250	3.000	3.250	2253	5	837654112540
ARRLC-250G7	2-1/2"	12.188	4.188	3.625	4300	1	837654112557
ARRLC-300G7	3"	12.188	4.177	4.438	5067	1	837654112564
ARRLC-350G7	3-1/2"	14.244	5.196	4.945	11500	1	837654112571
ARRLC-400G7	4"	14.244	5.196	5.752	10767	1	837654112588

## CONDUIT BODIES



400 MARTIN LUTHER KING JR WAY, BRIDGETON, NJ 08302  
PHONE : (718).338.1851 FAX : (718).228.1851  
orders@ammoelectric.com

www.ammoelectric.com