



CATEGORY

CONDUIT BODIES

AMMO ITEM #

ARRLR-G7

Company: _____

Job: _____ #Item: _____

Notes: _____

Conduit Bodies Iron Form 7

**APPLICATIONS**

To provide access to conductors for pulling, splicing and maintenance

FEATURES

- NPT tapered hubs
- Suitable for use in concrete

MATERIALS

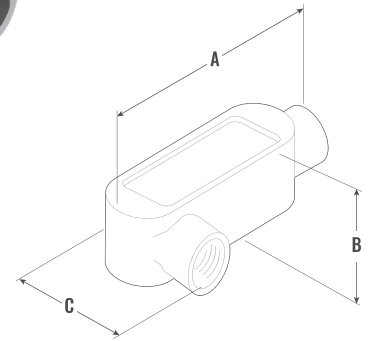
Gray iron

FINISH

Panton 427C

CERTIFICATIONS

UL 514A



AMMO#	SIZE	A (in)	B (in)	C (in)	WEIGHT (g)	PKG	UPC
ARRLR-50G7	1/2"	4.563	2.125	1.438	487	10	837654112694
ARRLR-75G7	3/4"	5.125	2.375	1.688	647	10	837654112700
ARRLR-100G7	1"	6.063	2.688	1.875	893	5	837654112717
ARRLR-125G7	1-1/4"	6.563	3.188	2.375	1237	10	837654112724
ARRLR-150G7	1-1/2"	7.125	3.500	2.625	1610	10	837654112731
ARRLR-200G7	2"	8.125	4.125	3.250	2273	5	837654112748
ARRLR-250G7	2-1/2"	10.531	3.655	5.752	4367	1	837654112755
ARRLR-300G7	3"	10.610	4.462	5.858	5067	1	837654112762
ARRLR-350G7	3-1/2"	12.634	4.944	6.807	6570	1	837654112779
ARRLR-400G7	4"	12.634	5.417	6.807	7160	1	837654112786

CONDUIT BODIES



400 MARTIN LUTHER KING JR WAY, BRIDGETON, NJ 08302
 PHONE : (718).338.1851 FAX : (718).228.1851
 orders@ammoelectric.com

www.ammoelectric.com