



CATEGORY

**STRUT &
GROUND**

AMMO ITEM #

**ARRTHS
50-400**

Company: _____

Job: _____ #Item: _____

Notes: _____

Rigid Two Hole Strap Steel



Ensures mechanical protection and provides corrosion protection of the conduit straps

APPLICATIONS

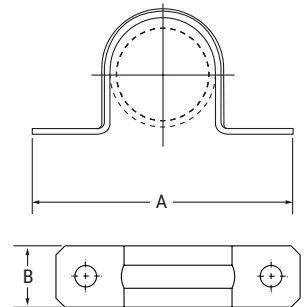
- Indoor or outdoor use
- Use to secure Rigid or IMC conduit to wood, masonry or where greater load bearing is required
- Used to mount rigid conduits in wet locations

FEATURES

- Snap-on type Rigid strap with one hole
- Inverted rib for strength
- Easy to install

MATERIAL / FINISH

- Steel
- Zinc plated



AMMO#	SIZE	A (in)	B (in)	WEIGHT (g)	INNER	MASTER	UPC
ARRTHS-50	1/2"	2.43	.625	8.16	50	500	837654075562
ARRTHS-75	3/4"	2.81	.685	10.88	50	500	837654075579
ARRTHS-100	1"	3.28	.75	16.32	25	250	837654075586
ARRTHS-125	1-1/4"	4.02	.875	36.29	20	200	837654075593
ARRTHS-150	1-1/2"	4.58	1	63.50	10	100	837654075609
ARRTHS-200	2"	5.22	1	45.35	-	50	837654075616
ARRTHS-250	2-1/2"	5.87	1.43	72.57	-	25	837654075623
ARRTHS-300	3"	6.50	1.75	90.71	-	25	837654075630
ARRTHS-350	3-1/2"	7.12	2	127.00	-	25	837654075647
ARRTHS-400	4"	7.75	2.25	127.00	-	25	837654075654
ARRTHS-500	5"	10.60	1.25	725.74	-	10	837654088517
ARRTHS-600	6"	11.85	1.25	317.51	-	10	837654088524

STRUT & GROUND



400 MARTIN LUTHER KING JR WAY, BRIDGETON, NJ 08302
 PHONE : (718).338.1851 FAX : (718).228.1851
 orders@ammoelectric.com

www.ammoelectric.com