



CATEGORY
**ELECTRICAL
FITTINGS**

AMMO ITEM #

**ARSCPS
50-400**

Company: _____
Job: _____ #Item: _____
Notes: _____

EMT Coupling, Set Screw Steel

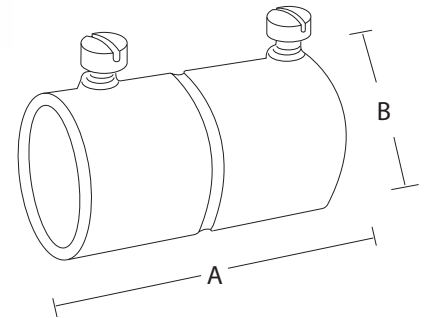


FEATURES

- Concrete-Tight when Taped
- Suitable for applications above 600V

MATERIAL

- SPHC Steel
- Zinc Electro-Plated



AMMO#	SIZE	A (In)	B (In)	DEPTH (In)	WEIGHT (G)	INNER	MASTER	UPC
ARSCPS-50	1/2"	1.57	0.84	1/2	33	50	500	837654065037
ARSCPS-75	3/4"	1.79	1.07	3/4	50	25	250	837654065044
ARSCPS-100	1"	2.05	1.31	1	80	10	100	837654065051
ARSCPS-125	1-1/4"	2.87	1.69	1-1/4	110	-	25	837654065068
ARSCPS-150	1-1/2"	3.11	1.92	1-1/2	170	-	25	837654065075
ARSCPS-200	2"	3.35	2.38	2	210	-	20	837654065082
ARSCPS-250	2-1/2"	4.09	3.14	2-1/2	580	-	12	837654065099
ARSCPS-300	3"	4.33	3.77	3	800	-	12	837654065105
ARSCPS-350	3-1/2"	4.53	4.28	3-1/2	950	-	6	837654068175
ARSCPS-400	4"	4.72	4.78	4	1050	-	6	837654065112

ELECTRICAL FITTINGS



400 MARTIN LUTHER KING JR WAY, BRIDGETON, NJ 08302
PHONE : (718).338.1851 FAX : (718).228.1851
orders@ammoelectric.com

www.ammoelectric.com