



CATEGORY  
ELECTRICAL  
FITTINGS

AMMO ITEM #

ARSCPSCB-F

Company: \_\_\_\_\_  
 Job: \_\_\_\_\_ #Item: \_\_\_\_\_  
 Notes: \_\_\_\_\_

# EMT Compression to Flex Top-Bite Combination



## APPLICATION

To connect Flex, AC, and MC cables to EMT conduit

## FEATURE

- Compression type
- One piece tubular construction affording extra strength
- Dual gripping saddle clamps
- Saddle clamps ride up and down on screw for ease of installation
- Tri combo head screw

## MATERIALS

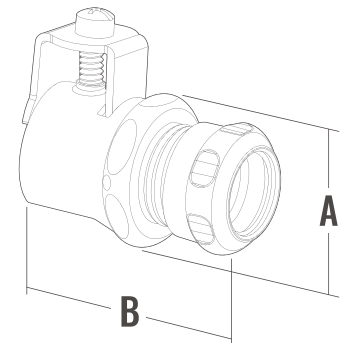
- Body: zinc plated steel
- Nut: zinc plated steel
- Screw: Zinc plated steel

## FINISH

Natural

## CERTIFICATION

UL-514B



AMMO#	SIZE	A (in)	B (in)	WEIGHT (g)	PKG	UPC
ARSCPSCB-38F	3/8"	1.27	1.91	79.4	125	837654117606
ARSCPSCB-50F	1/2"	1.27	1.91	76.1	125	837654117620
ARSCPSCB-75F	3/4"	1.46	1.99	95.5	100	837654117644

## ELECTRICAL FITTINGS



400 MARTIN LUTHER KING JR WAY, BRIDGETON, NJ 08302  
 PHONE : (718).338.1851 FAX : (718).228.1851  
 orders@ammoelectric.com

www.ammoelectric.com