



CATEGORY
**ELECTRICAL
FITTINGS**

AMMO ITEM #

**ARSET
50-400**

Company: _____
 Job: _____ #Item: _____
 Notes: _____

Service Entrance Caps Threaded

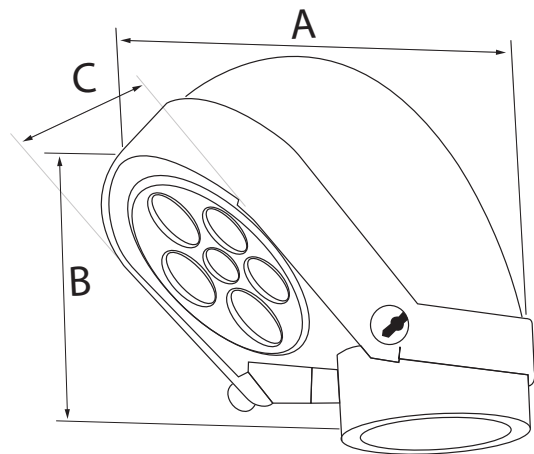


Service entrance caps attach to the end of plain conduits that are being used to bring over-head power to buildings or homes

#AMMO	SIZE	A (in)	B (in)	C (in)	WEIGHT (g)	PKG	UPC
ARSET-50	1/2"	2.945	2.346	1.996	67.5	50	837654071335
ARSET-75	3/4"	3.395	2.504	2.244	96.6	50	837654071373
ARSET-100	1"	3.855	2.972	2.253	120	50	837654071304
ARSET-125	1-1/4"	4.43	3.358	2.968	148.3	20	837654071328
ARSET-150	1-1/2"	5.62	3.972	3.346	235	10	837654071311
ARSET-200	2"	7.118	5.106	4.543	445	5	837654071342
ARSET-250	2-1/2"	10.633	7.142	6.141	1070	2	837654071359
ARSET-300	3"	10.72	7.181	6.188	1860	1	837654071366
ARSET-350	3-1/2"	13.634	8.799	7.9	2010	1	837654089316
ARSET-400	4"	13.89	8.85	7.893	2030	1	837654071380



MATERIAL Aluminum



ELECTRICAL FITTINGS



400 MARTIN LUTHER KING JR WAY, BRIDGETON, NJ 08302
 PHONE : (718).338.1851 FAX : (718).228.1851
 orders@ammoelectric.com

www.ammoelectric.com